



Message Implementation Guideline

SMSI Bygg faktura förenklad profil

based on

INVOIC

Invoice message

UN D.03A S3

Version: 1.0
Issue date: 2008-08-11
Print date: 2008-11-10

Per-Lennart Persson
BEAst AB
e-mail: per-lennart@beast.se
tel: +46705334991

Content

- 1. Functional description**
- 2. Branching Diagram of Used segment/groups**
- 3. Structure / Table of contents**
- 4. Segment description**
- 5. Example**

1. Functional Description

1.1 GENERAL

1.1.1 Introduction

This user guide is a part of a series of EDI message handbooks established with the purpose of making electronical business easier by using standards for the content of each message. A common name of this series of message guides is "EDI user guides for international trade with building articles".

This document is taken out of EDIFACT-message INVOIC, catalogue D.03A and is a real subset of a user guide of «**Nordic eBuilding EDI guide EDIFACT INVOIC**». Message (2008)

Objective for making this series of user guides is to promote and use them as a standard way of doing electronical business both in national but also in international.business. The documentation will be made available to every party who want to implement it in their business with trading partners.

1.1.2 Development/Maintenance

This user guide is developed based on information requirements experienced during the last 10 years in nordic countries. The documentation is produced by a project group consisting of people from BEAST (, Sweden) and TBF (Trelast og byggevarehandelens fellesorganisasjon, Norway). TUN (Trelast Unionen, Danmark) has supported with their needs of information in the different messages.

The user guides are based on the information elements in use in Sweden, Norway and Denmark to day and is intended over time to replace the national standard which are in use to day.

The new standard contains codes and qualifier which will be the same across borders. This is the huge benefit of this new standard..

Maintenance of this user guide will be outsourced to xxxxxxx. Based on experiences and requests from users, a competent management group have to decide the changes which xxxxxxx in turn will include into the user guide document.

Quality assuremnet of this document will be handled by yyyyyyy..

Changes in this document will be updated in the Change Log in chapter 1 of this document.

1.2 MESSAGE DESCRIPTION

1.2.1 Definition

The invoice is a message to be sent from the vendor to the buyer of goods or other party authorised to receive, handle or pay the invoice. The invoices from a vendor must be uniquely and continuous numbered and specify delivery place and date, invoicing date and buyer and seller. All parties involved in the VAT handling have to be identified.

At line level the invoice has to identify the articles, give quantity, price and charges/discounts and net line amount.

At total level the invoice must contain information both for payment and for keeping accounts and in addition detailed specification of the VAT in the invoice distributed on the different VAT rates..

It is very important that the invoice contains a reference to the purchase order number both in the header and at line item level with line number in the purchase order in addition. In addition the vendors order number is useful and also the delivery note number is required in the invoice in order to compare delivered quantities with the invoiced quantities.

1.2.2 Principles

The use of EDI in invoicing assumes that both sending and receiving of the invoice is done by computer programs. The following principles are recommended in the invoicing process.

1. One invoice has reference to only one delivery note which in turn has reference to only one purchase order.
2. One credit note has reference to one invoice for complete or partly credit of that invoice.

The invoice message opens for more advanced usage, but that is not recommended.

If two parties opens for more advanced usage it must be based on an agreement between the parties. It is recommended that a credit note is a pure credit note and not a combination of debit and credit line items.

Experience tells that handling of signs is a challenge in such cases.

The message code 380 tells that the document is an invoice and the total shall be a positive amount. In the same way when the message code is 381 it tells that the document is a credit note and the total amount shall be a positive amount.

1.2.3 Parties

Parties involved in a business transaction must be uniquely identified, and the preferred identifier is GLN (Global location number). End user and delivery place will usually not have a GLN and has to be identified by name and address.

Identification of involved parties must be exchanged between the trading parties before going live.

1.2.4 Article identification

Trade between buyer and supplier must be based on knowledge of article identification between the trading parties. This information must be exchanged in advance if not available from branch or national databases.

For trade across borders the use of GTIN (Global Trade Item Number) is highly recommended as article identification.

The same principle is recommended also for national trade but here may other national standards for article identification be used after agreement between the trading parties.

The method of identifying articles must be agreed on before electronic trading may start.

1.2.5 Unit of Measure (UOM)

When using GTIN, the unit of measure usually will be PCE (pieces). Some products will be measured in kilos (KGM), meters (MTR) or litres (LTR). This is the recommended standard for UOM and they are typical logistical UOMs.

Branch or national databases with articles often have defined UOMs which are a description of the type of article. Usually these UOMs are not logistical UOMs (BOT=bottle).

Article catalogue with article identification and Unit of Measure (UOM) has to be exchanged between trading parties before going live.

1.2.6 Incoterms

The Incoterms code is often advice to use in order to be aware of delivery terms for this order. In general will the terms of delivery be a part of the agreement between the trading parties.

More information at <http://www.incoterms.com>

1.2.7 Prices, discounts and charges

Control of quantities, prices and conditions is an important part after receipt of an invoice. Different data systems have different procedures for this control and it is important to check that the data system works according to the guidelines set up in this document.

Codes for different discounts and charges must be agreed on between the trading partners.

1.2.8 References

This user guide is based on the following documents.

- [1] **ISO 9735**, version 2, 1990.11.01
- [2] **UN/EDIFACT Draft directory**, D.03A

1.3 Description of columns

The different columns Standard and Implementation in the tables are displaying how the information is to be used in accordance with the EDIFACT standards and the BEAst Nordic eBuilding Implementation standard.

		Standard	Implementation	
Tag	Name	St Format	St Format	Usage / Remark

Following notes will be applied in columns Standard “St Format”:

M = Mandatory

C = Conditional

Blank space means that the project does not enter into the actual subset.

Following notes will be applied in columns Implementation “St Format”:

Used by the party:

R = Required: the data unit must be included in the message.

A = Advised: Inclusion of the data unit is recommended, but not required.

D = Dependent: the use of the data unit is dependent on that of other unit, or on other conditions.

O = Optional: the data unit can be present in the message, but is not required.

N = Not used: the data unit is not used in the application

Structure / Table of Contents

Counte	No	Tag	St	MaxOcc	Level	Content	
	0000	1	UNA	O	1	0	Service string advice
	0000	2	UNB	R	1	0	Interchange header
	0010	3	UNH	R	1	0	Message header
	0020	4	BGM	M	1	0	Beginning of message
	0030	5	DTM	M	4	1	Date/time/period
	0050	6	ALI	D	5	1	Additional information
	0070	7	FTX	D	6	1	Free text
	0120		SG1	R	10	1	RFF
	0130	8	RFF	M	1	1	Reference
	0220		SG2	R	8	1	NAD-SG3-SG5
	0230	9	NAD	R	1	1	Name and address
	0270		SG3	R	5	2	RFF
	0280	10	RFF	R	1	2	Reference
	0330		SG5	O	1	2	CTA-COM
	0340	11	CTA	R	1	2	Contact information
	0350	12	COM	O	2	3	Communication contact
	0360		SG6	O	3	1	VAT or other tax rate for VAT Exempt
	0370	13	TAX	R	1	1	Duty/tax/fee details
	0400		SG7	R	1	1	Invoice Currency to Home or Payment Currency
	0410	14	CUX	M	1	1	Currencies
	0420	15	DTM	D	1	2	Exchange rate date
	0430		SG8	D	6	1	PYT-DTM-PCD-MOA Payment instructions
	0440	16	PYT	R	1	1	Payment terms
	0450	17	DTM	O	1	2	Payment due date
	0590		SG12	D	1	1	TOD-LOC
	0600	18	TOD	R	1	1	Terms of delivery or transport
	0610	19	LOC	D	1	2	Place/location identification
	0650		SG14	O	1	1	PAC-SG15
	0660	20	PAC	R	1	1	Package
	0690		SG15	R	2	2	PCI
	0700	21	PCI	R	1	2	Package identification
	0740		SG16	D	15	1	ALC-SG19-SG20-SG22
	0750	22	ALC	R	1	1	Allowance or charge
	0840		SG19	D	1	2	PCD
	0850	23	PCD	R	1	2	Percentage details
	0870		SG20	D	2	2	MOA
	0880	24	MOA	R	1	2	Monetary amount
	0950		SG22	D	1	2	Allowance/charge - applicable VAT rate

Counter = Counter of segment/group within the standard
 No = Consecutive segment number
 MaxOcc = Maximum occurrence of the segment/group

St = Status
 EDIFACT: M=Mandatory, C=Conditional
 User specific: R=Required, O=Optional, D=Dependent,
 A=Advised, N=Not used

Structure / Table of Contents

Counte	No	Tag	St	MaxOcc	Level	Content
	0960	25 TAX	R	1	2	Allowance/charge - applicable VAT rate
	0970	26 MOA	D	1	3	Monetary amount
	1090	SG26	R	99999	1	Line item section
	1100	27 LIN	R	1	1	Line item
	1110	28 PIA	O	1	2	Additional article identifier(s) 1
	1130	29 IMD	O	1	2	Description of article or service
	1150	30 QTY	D	1	2	Invoiced quantity
	1170	31 ALI	O	1	2	Additional information
	1180	32 DTM	D	1	2	Delivery date
	1250	SG27	R	1	2	Line item net amount
	1260	33 MOA	R	1	2	Line item net amount in invoice currency
	1330	SG29	O	1	2	Calculation price
	1340	34 PRI	R	1	2	Price details
	1390	SG30	O	10	2	References to messages
	1400	35 RFF	R	1	2	Reference message number
	1550	SG34	O	2	2	VAT or other tax rate and amount for line item
	1560	36 TAX	R	1	2	VAT or other tax rate line item
	1720	SG39	O	10	2	Allowances or charges
	1730	37 ALC	R	1	2	Allowance/charge
	1800	SG41	D	1	3	Allowance/charge - percentage
	1810	38 PCD	R	1	3	Allowance/charge Percentage
	1830	SG42	D	1	3	Allowance/charge - monetary amount
	1840	39 MOA	R	1	3	Allowance/charge - monetary amount
	1910	SG44	O	1	3	Allowance/charge - applicable VAT rate and amount
	1920	40 TAX	R	1	3	Allowance/charge - applicable VAT rate
	1930	41 MOA	O	1	4	Allowance/charge - applicable VAT amount
	2180	42 UNS	R	1	0	Section control
	2190	43 CNT	O	1	1	Control total
	2200	SG50	R	1	1	79 Total line items amount in invoicing or payment currency
	2210	44 MOA	R	1	1	Total line items amount in invoicing or payment currency
	2200	SG50	O	1	1	131 Total charge/allowances invoiced in head level in invoicing or Payment currency
	2210	45 MOA	R	1	1	Total charge/allowances invoiced in head level in invoicing currency
	2200	SG50	D	1	1	125 Total taxable amount in invoicing or payment currency
	2210	46 MOA	M	1	1	Total taxable amount in invoicing or payment currency
	2200	SG50	D	1	1	176 Total tax amount in invoicing or payment currency
	2210	47 MOA	M	1	1	Total tax amount in invoicing or payment currency
	2200	SG50	O	1	1	165 Total invoice price adjustment amount in invoicing or payment currency

Counter = Counter of segment/group within the standard
 No = Consecutive segment number
 MaxOcc = Maximum occurrence of the segment/group

St = Status
 EDIFACT: M=Mandatory, C=Conditional
 User specific: R=Required, O=Optional, D=Dependent,
 A=Advised, N=Not used

Structure / Table of Contents

Counte	No	Tag	St	MaxOcc	Level	Content
	2210	48 MOA	R	1	1	Total invoice price adjustment amount in invoicing or payment currency
	2200	SG50	R	1	1	86 Total Message monetary amount in invoicing currency
	2210	49 MOA	R	1	1	Total Message monetary amount in invoicing currency
	2250	SG52	R	3	1	Tax rates and amounts
	2260	50 TAX	R	1	1	Tax type
	2270	51 MOA	O	3	2	Tax amount in home currency
	2270	52 MOA	R	1	2	Tax amount in invoicing or payment currency
	2270	53 MOA	R	1	2	Taxable amount in Invoicing or Payment currency
	2330	54 UNT	R	1	0	Message trailer
	0000	55 UNZ	M	1	0	Interchange trailer

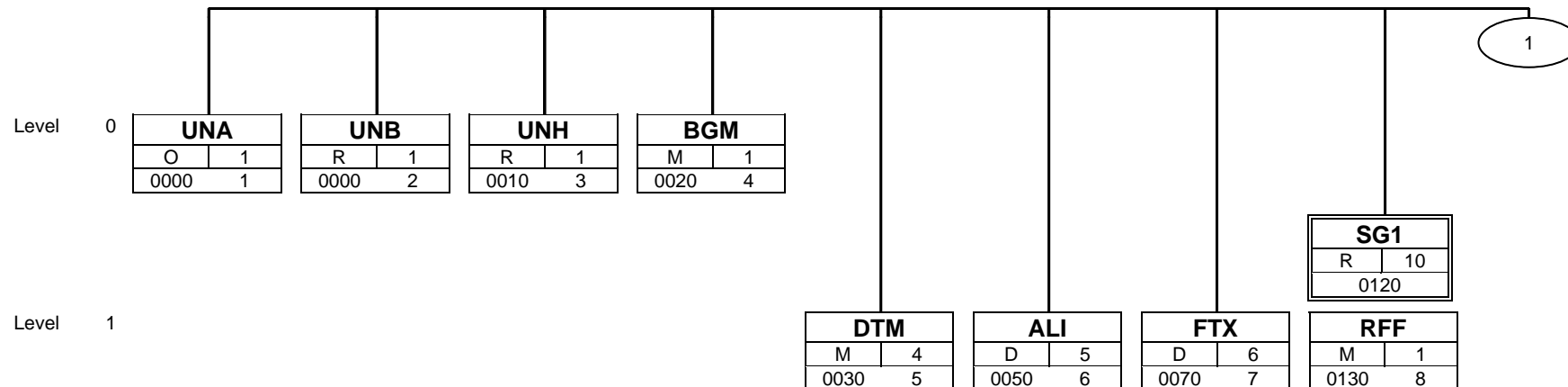
Counter = Counter of segment/group within the standard
 No = Consecutive segment number
 MaxOcc = Maximum occurrence of the segment/group

St = Status
 EDIFACT: M=Mandatory, C=Conditional
 User specific: R=Required, O=Optional, D=Dependent,
 A=Advised, N=Not used

Branching Diagram of Used segment/groups

FLIK 3

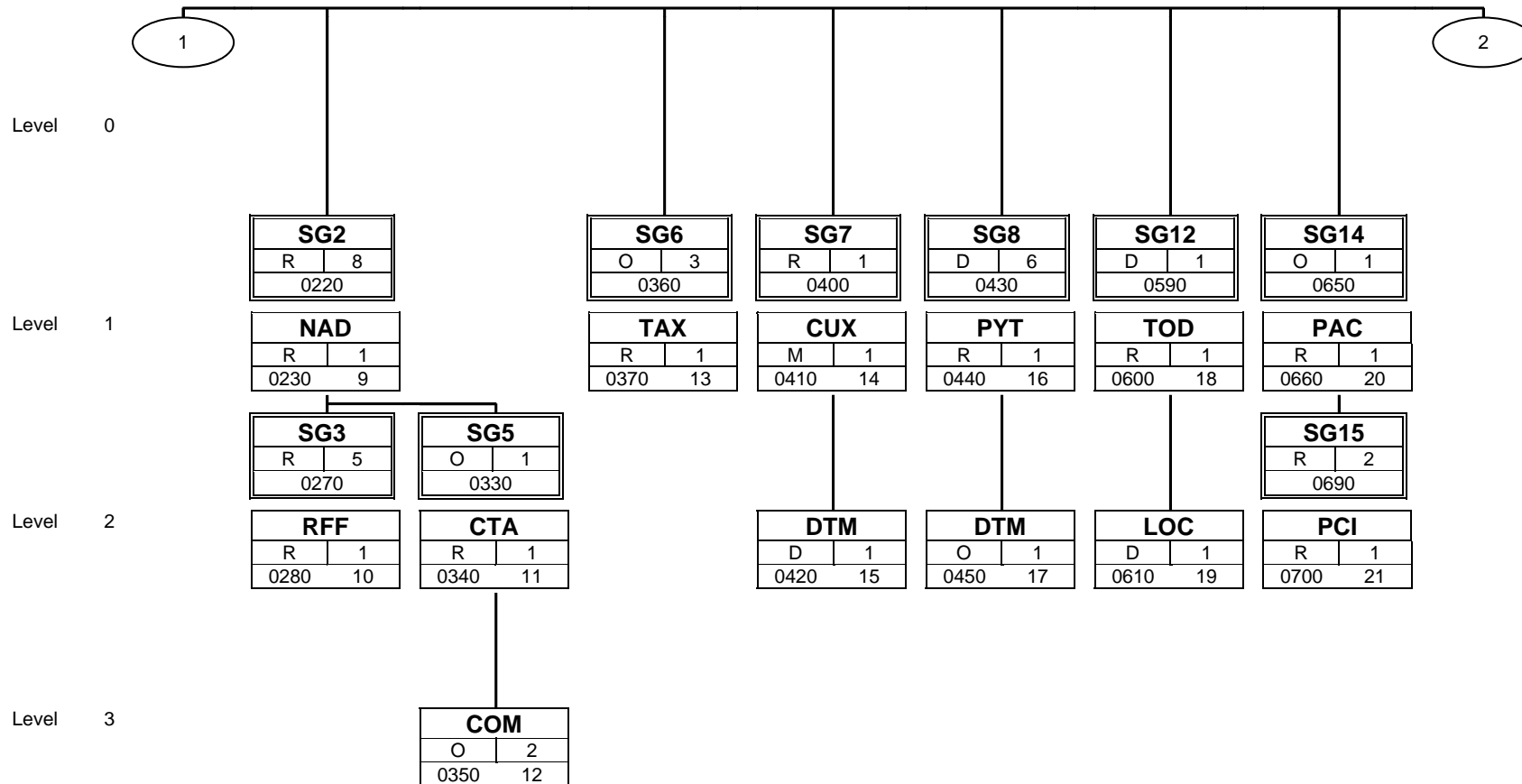
UN/EDIFACT Message: Branching diagram of used segments and segment groups



SMSI Bygg faktura förenklad profil



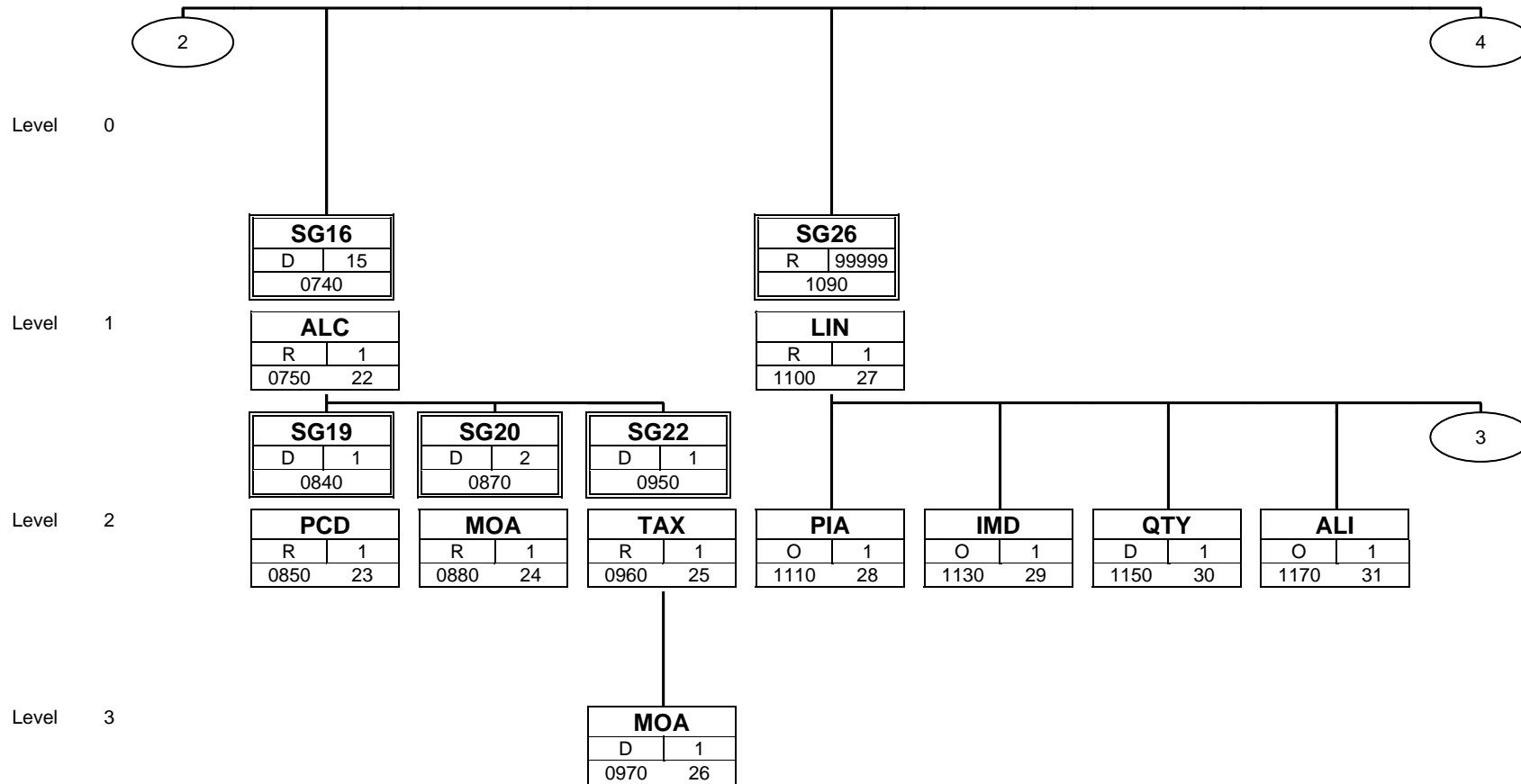
UN/EDIFACT Message: Branching diagramm of used segments and segment groups



SMSI Bygg faktura förenklad profil



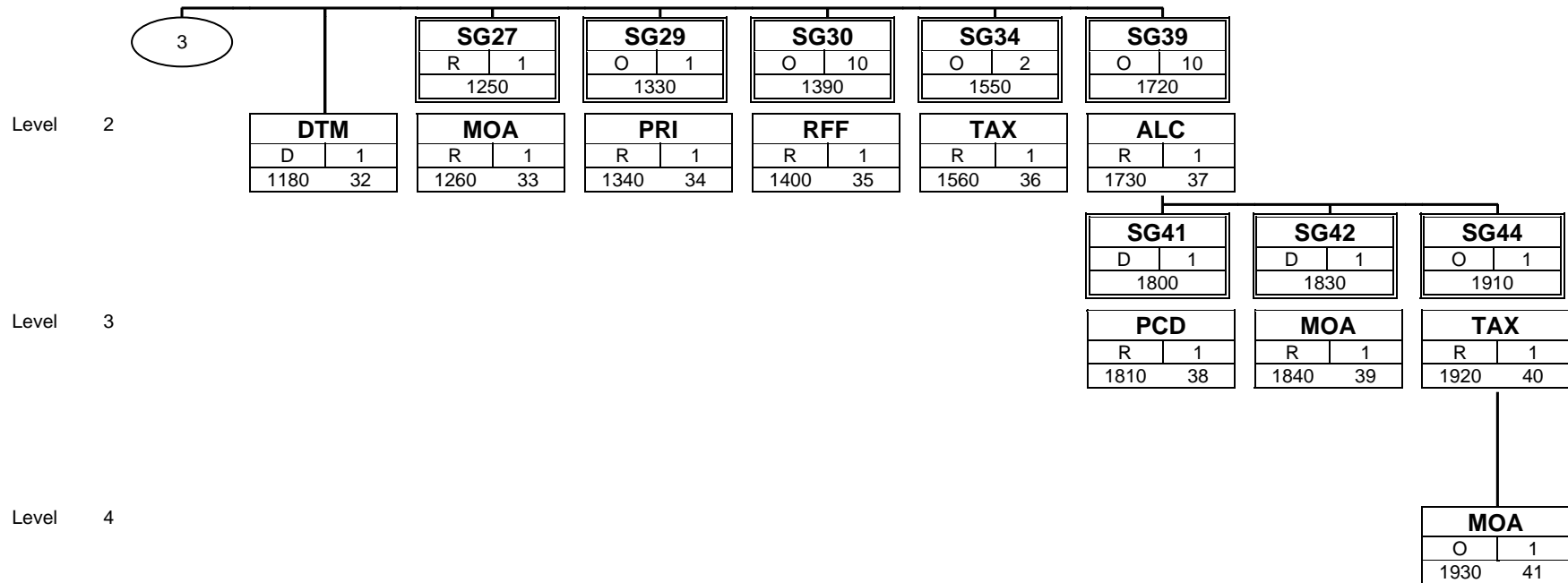
UN/EDIFACT Message: Branching diagramm of used segments and segment groups



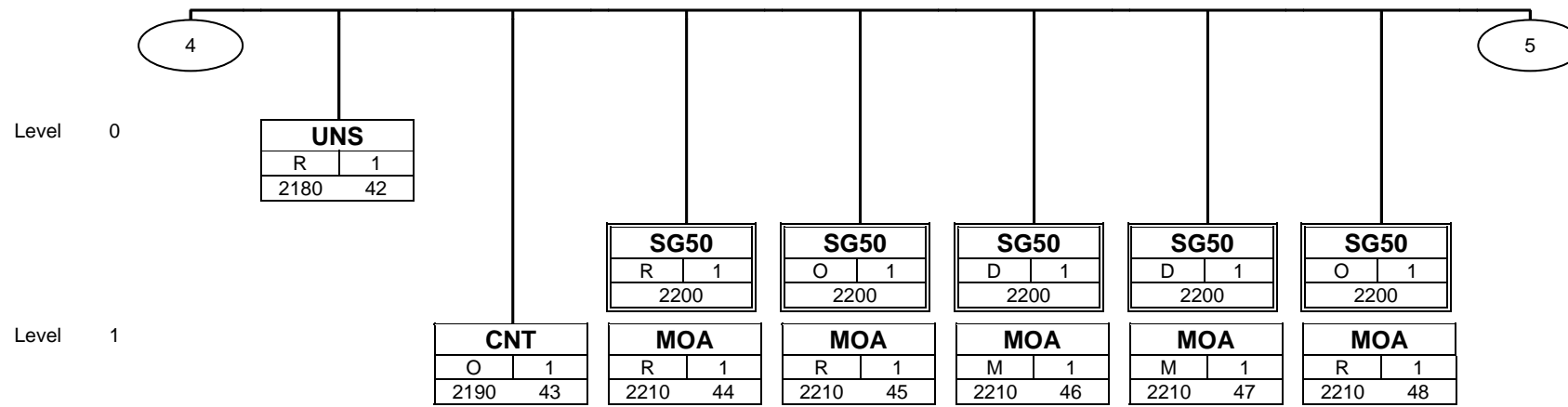
SMSI Bygg faktura förenklad profil



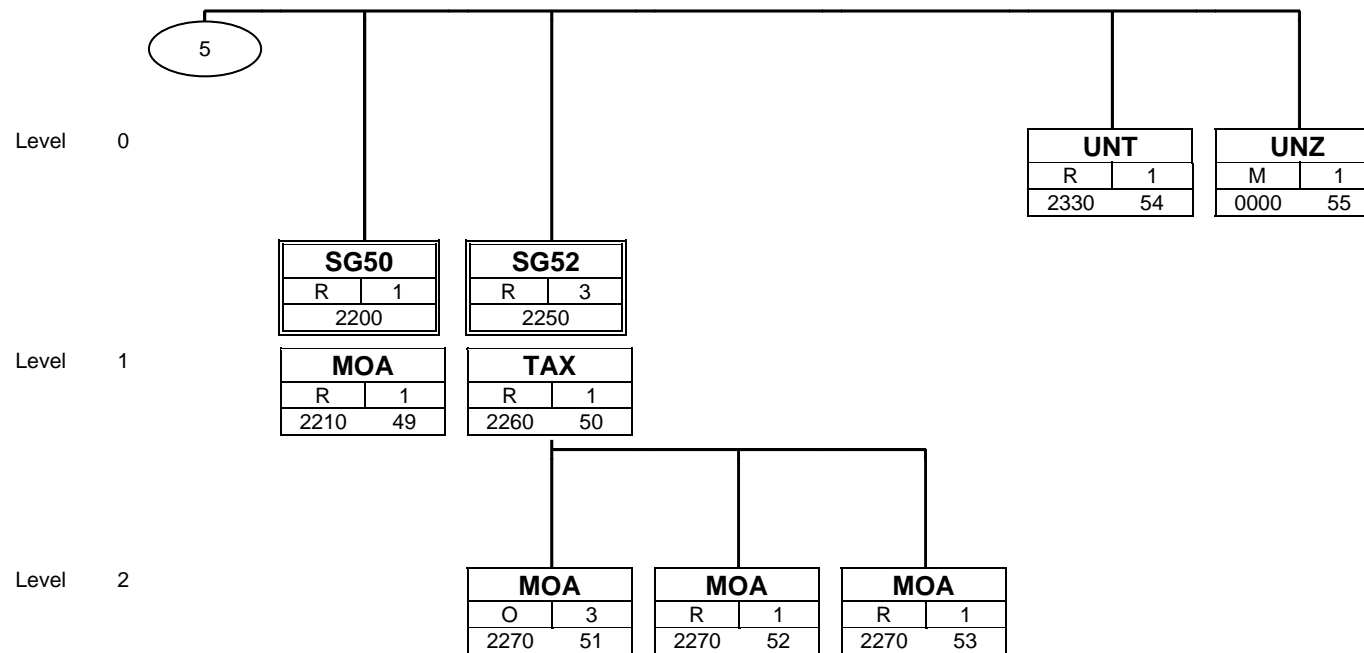
UN/EDIFACT Message: Branching diagramm of used segments and segment groups



UN/EDIFACT Message: Branching diagramm of used segments and segment groups



UN/EDIFACT Message: Branching diagramm of used segments and segment groups



Segment description

FLIK 4

SMSI Bygg faktura förenklad profil



Segments

Counter	No	Tag	St	MaxOcc	Level	Name
0000	1	UNA	O	1	0	Service string advice

		Standard	Implementation	
Tag	Name	St Format	St Format	Usage / Remark
UNA				
UNA1	Component data element separator	M an1	R an1	
UNA2	Data element separator	M an1	R an1	
UNA3	Decimal notation	M an1	R an1	Use , or . To agree
UNA4	Release indicator	M an1	R an1	
UNA5	Reserved for future use	M an1	R an1	
UNA6	Segment terminator	M an1	R an1	

Remark:

Example:

UNA:+. ? * ' !

No = Consecutive segment number
 MaxOcc = Maximum occurrence of the segment/group
 Counter = Counter of segment/group within the standard

St = Status
 EDIFACT: M=Mandatory, C=Conditional
 User specific: R=Required, O=Optional, D=Dependent,
 A=Advised, N=Not used

SMSI Bygg faktura förenklad profil



Segments

Counter	No	Tag	St	MaxOcc	Level	Name
0000	2	UNB	R	1	0	Interchange header

		Standard	Implementation		
Tag	Name	St Format	St Format	Usage / Remark	
UNB					
S001	Syntax identifier	M	R		
0001	Syntax identifier	M a4	M a4		
0002	Syntax version number	M n1	M n1		
S002	Interchange sender	M	R		
0004	Sender identification	M an..35	R an..35	GLN	
0007	Partner identification code qualifier	C an..4	R an..4	14 EAN International	
0008	Address for reverse routing	C an..14	N	Not used	
S003	Interchange recipient	M	R		
0010	Recipient identification	M an..35	R an..35	GLN	
0007	Partner identification code qualifier	C an..4	R an..4	14 EAN International	
0014	Routing address	C an..14	N	Not used	
S004	Date/time of preparation	M	R		
0017	Date of preparation	M n6	M n6		
0019	Time of preparation	M n4	M n4		
0020	Interchange control reference	M an..14	M an..14		
S005	Recipient's reference, password	C	N		
0022	Recipient's reference/password	M an..14	N	Not used	
0025	Recipient's reference/password qualifier	C an2	N	Not used	
0026	Application reference	C an..14	N	Not used	
0029	Processing priority code	C a1	N	Not used	
0031	Acknowledgement request	C n1	D n1	1 Requested	
0032	Communications agreement ID	C an..35	N	Not used	
0035	Test indicator	C n1	C n1	Use only with test 1 Interchange is a test	

Remark:

Example:

UNB+UNOC:3+7312346678901:14+7398765432101:14+070411:0928+1234++++1++1'

No = Consecutive segment number
 MaxOcc = Maximum occurrence of the segment/group
 Counter = Counter of segment/group within the standard

St = Status
 EDIFACT: M=Mandatory, C=Conditional
 User specific: R=Required, O=Optional, D=Dependent,
 A=Advised, N=Not used

SMSI Bygg faktura förenklad profil



Segments

Counter	No	Tag	St	MaxOcc	Level	Name
0010	3	UNH	R	1	0	Message header

		Standard	Implementation		
Tag	Name	St Format	St Format	Usage / Remark	
UNH					
0062	Message reference number	M an..14	R an..14	<i>Message reference number - unique number to identify the message within the interchange, usually a consecutive number starting with 1.</i>	
S009	Message identifier	M	R		
0065	Message type	M an..6	R an..6	INVOIC Invoice message	
0052	Message version number	M an..3	R an..3	D Draft version/UN/EDIFACT Directory	
0054	Message release number	M an..3	R an..3	03A Release 2003 - A	
0051	Controlling agency	M an..2	R an..2	UN UN/CEFACT NB Nordic Building	
0057	Association assigned code	C an..6	R an..6	NeB01 Nordic Building	
0068	Common access reference	C an..35	N	Not used	
S010	Status of the transfer	C	N		
0070	Sequence of transfers	M n..2	N	Not used	
0073	First and last transfer	C a1	N	Not used	

Remark:

Example:

UNH+123+INVOIC:D:03A:UN:NeB01'

No = Consecutive segment number
 MaxOcc = Maximum occurrence of the segment/group
 Counter = Counter of segment/group within the standard

St = Status
 EDIFACT: M=Mandatory, C=Conditional
 User specific: R=Required, O=Optional, D=Dependent,
 A=Advised, N=Not used

Segments

Counter	No	Tag	St	MaxOcc	Level	Name
0020	4	BGM	M	1	0	Beginning of message

Standard			Implementation	
Tag	Name	St Format	St Format	Usage / Remark
BGM				
C002	Document/message name	C	R	
1001	Document name code	C an..3	R an..3	Message Type, Coded 380 Commercial invoice 381 Credit note 386 Prepayment invoice
1131	Code list identification code	C an..17	N	Not used
3055	Code list responsible agency code	C an..3	N	Not used
1000	Document name	C an..35	N	Not used
C106				
1004	Document identifier	C an..35	R an..17	Message Number Supplier Invoice Number
1056	Version identifier	C an..9	N	Not used
1060	Revision identifier	C an..6	N	Not used
1225	Message function code	C an..3	N	Not used
4343	Response type code	C an..3	N	Not used

Remark:

The Message Response Type Coded is used in reply to invoice only in the pre-invoicing process.

Example:

BGM+380+123456'

No = Consecutive segment number
 MaxOcc = Maximum occurrence of the segment/group
 Counter = Counter of segment/group within the standard

St = Status
 EDIFACT: M=Mandatory, C=Conditional
 User specific: R=Required, O=Optional, D=Dependent,
 A=Advised, N=Not used

Segments

Counter	No	Tag	St	MaxOcc	Level	Name
0030	5	DTM	M	4	1	Date/time/period

Standard			Implementation	
Tag	Name	St Format	St Format	Usage / Remark
DTM				
C507	Date/time/period	M	M	
2005	Date or time or period function code qualifier	M an..3	R an..3	Primary codes 137 Document/message date/time Secondary codes 17 Delivery date/time, estimated 35 Delivery date/time, actual 11 Despatch date and or time
2380	Date or time or period text	C an..35	R n..14	
2379	Date or time or period format code	C an..3	R an..3	Primary codes 102 CCYMMDD Secondary codes 203 CCYMMDDHHMM

Remark:

Example:

DTM+137:20081107:102'

No = Consecutive segment number
 MaxOcc = Maximum occurrence of the segment/group
 Counter = Counter of segment/group within the standard

St = Status
 EDIFACT: M=Mandatory, C=Conditional
 User specific: R=Required, O=Optional, D=Dependent,
 A=Advised, N=Not used

SMSI Bygg faktura förenklad profil



Segments

Counter	No	Tag	St	MaxOcc	Level	Name
0050	6	ALI	D	5	1	Additional information

Standard			Implementation	
Tag	Name	St Format	St Format	Usage / Remark
ALI				
3239	Country of origin name code	C an..3	N	Not used
9213	Duty regime type code	C an..3	N	Not used
4183	Special condition code	C an..3	R an..3	108 Financial compensation 140 Return of goods Z01 Damage goods 79E Error in delivery
4183	Special condition code	C an..3	N	Not used
4183	Special condition code	C an..3	N	Not used
4183	Special condition code	C an..3	N	Not used
4183	Special condition code	C an..3	N	Not used

Remark:

Use for creditnote

Example:

ALI+++79E'

No = Consecutive segment number
 MaxOcc = Maximum occurrence of the segment/group
 Counter = Counter of segment/group within the standard

St = Status
 EDIFACT: M=Mandatory, C=Conditional
 User specific: R=Required, O=Optional, D=Dependent,
 A=Advised, N=Not used

SMSI Bygg faktura förenklad profil



Segments

Counter	No	Tag	St	MaxOcc	Level	Name
0070	7	FTX	D	6	1	Free text

Standard			Implementation	
Tag	Name	St Format	St Format	Usage / Remark
FTX				
4451	Text subject code qualifier	M an..3	M an..3	Free Text Qualifier DIN Delivery instructions SUR Supplier remarks GEN Entire transaction set REG Regulatory information 1 Text for subsequent use
4453	Free text function code	C an..3	O an..3	
C107	Text reference	C	N	
4441	Free text description code	M an..17	N	Not used
1131	Code list identification code	C an..17	N	Not used
3055	Code list responsible agency code	C an..3	N	Not used
C108	Text literal	C	R	
4440	Free text	M an..512	R an..256	Free Text
4440	Free text	C an..512	O an..256	see 4440 # 1
4440	Free text	C an..512	O an..256	see 4440 # 1
4440	Free text	C an..512	O an..256	see 4440 # 1
4440	Free text	C an..512	O an..256	see 4440 # 1
3453	Language name code	C an..3	O an..3	Any language code according to ISO 639-1988/ISO 3166 is applicable. SV Swedish DA Danish NO Norwegian EN English
4447	Free text format code	C an..3	N	Not used

Remark:

Example:

FTX+SUR+++Leveres enl plan:A:A:A:A+SV'

No = Consecutive segment number
MaxOcc = Maximum occurrence of the segment/group
Counter = Counter of segment/group within the standard

St = Status
EDIFACT: M=Mandatory, C=Conditional
User specific: R=Required, O=Optional, D=Dependent,
A=Advised, N=Not used

Segments

Counter	No	Tag	St	MaxOcc	Level	Name
0120		SG1	R	10	1	RFF
0130	8	RFF	M	1	1	Reference

		Standard	Implementation	
Tag	Name	St Format	St Format	Usage / Remark
RFF				
C506	Reference	M	R	
1153	Reference code qualifier	M an..3	M an..3	Primary codes ON Buyers order number VN Order number (vendor) Secondary codes AEP Project number AER Project specification number <i>Project specification number = project name</i> AFZ Situation number <i>Situation number = Project agreement</i> ADE Account number AOU Cost account ADT Group accounting AAK Despatch advice number CR Customer reference number CT Contract number DQ Delivery note number IV Invoice number PQ Payment reference CD Credit note number <i>För Norge användes KID nr och i Danmark/Sverige</i> OCR nummer
1154	Reference identifier	C an..70	R an..70	<i>Application reference number provides a logical bracket embracing several invoice messages.</i>
1156	Document line identifier	C an..6	N	Not used
4000	Reference version identifier	C an..35	N	Not used
1060	Revision identifier	C an..6	N	Not used

Remark:

Example:

RFF+ON: 55625'

No = Consecutive segment number
 MaxOcc = Maximum occurrence of the segment/group
 Counter = Counter of segment/group within the standard

St = Status
 EDIFACT: M=Mandatory, C=Conditional
 User specific: R=Required, O=Optional, D=Dependent,
 A=Advised, N=Not used

SMSI Bygg faktura förenklad profil



Segments

Counter	No	Tag	St	MaxOcc	Level	Name
0220		SG2	R	8	1	NAD-SG3-SG5 <i>In some countries, i.e. the UK and Norway the full name and address of the Partners must be shown on the invoices.</i>
0230	9	NAD	R	1	1	Name and address

Standard			Implementation	
Tag	Name	St Format	St Format	Usage / Remark
NAD				
3035	Party function code qualifier	M an..3	M an..3	Primary codes BY Buyer SU Supplier IV Invoicee <i>The usage of SU is recommended. For compatibility reasons also SE can be supported. Both codes are considered to express the same semantic content.</i> Secondary codes II Issuer of invoice CN Consignee DP Delivery party FH Seller as officially registered LC Party declaring the Value Added Tax (VAT) SU - party which manufacturers or otherwise has possession of goods, and consigns or makes them available in trade.
C082	Party identification details	C	R	<i>In most cases it will be sufficient to use C082 for identification of invoicee. If not, C080 and following data elements should be used (structured address). The preferred version is the structured address.</i>
3039	Party identifier	M an..35	R an..35	GLN no recomendate Agreed id.cod for partners
1131	Code list identification code	C an..17	N	Not used
3055	Code list responsible agency code	C an..3	R an..3	91 Assigned by seller or seller's agent 92 Assigned by buyer or buyer's agent 9 EAN International
C058	Name and address	C	N	Not recommend
3124	Name and address description	M an..35	N	Not used
3124	Name and address description	C an..35	N	Not used
3124	Name and address description	C an..35	N	Not used
3124	Name and address description	C an..35	N	Not used
3124	Name and address description	C an..35	N	Not used
C080	Party name	C	O	
3036	Party name	M an..35	R an..35	Buyer's Name
3036	Party name	C an..35	O an..35	see 3036 # 1
3036	Party name	C an..35	N	Not used

No = Consecutive segment number
 MaxOcc = Maximum occurrence of the segment/group
 Counter = Counter of segment/group within the standard

St = Status
 EDIFACT: M=Mandatory, C=Conditional
 User specific: R=Required, O=Optional, D=Dependent,
 A=Advised, N=Not used

Segments

		Standard	Implementation	
Tag	Name	St Format	St Format	Usage / Remark
3036	Party name	C an..35	N	Not used
3036	Party name	C an..35	N	Not used
3045	Party name format code	C an..3	N	Not used
C059	Street	C	O	If available.
3042	Street and number or post office box identifier	M an..35	R an..35	
3042	Street and number or post office box identifier	C an..35	O an..35	see 3042 # 1
3042	Street and number or post office box identifier	C an..35	N	Not used
3042	Street and number or post office box identifier	C an..35	N	Not used
3164	City name	C an..35	O an..35	
C819	Country sub-entity details	C	N	
3229	Country sub-entity name code	C an..9	N	Not used
1131	Code list identification code	C an..17	N	Not used
3055	Code list responsible agency code	C an..3	N	Not used
3228	Country sub-entity name	C an..70	N	Not used
3251	Postal identification code	C an..17	O an..17	
3207	Country name code	C an..3	O an..3	Use this element if the qualifier is other than *SE*. Use ISO 3166-2-alpha codes. The codes of this codelist are documented in a separate document.

Remark:

Example:

NAD+BY+7381030000028::9++Skoogs AB:A+Tallvägen 45:A+Xstad++12359+SE'

No = Consecutive segment number
 MaxOcc = Maximum occurrence of the segment/group
 Counter = Counter of segment/group within the standard

St = Status
 EDIFACT: M=Mandatory, C=Conditional
 User specific: R=Required, O=Optional, D=Dependent,
 A=Advised, N=Not used

SMSI Bygg faktura förenklad profil



Segments

Counter	No	Tag	St	MaxOcc	Level	Name
0270		SG3	R	5	2	RFF
0280	10	RFF	R	1	2	Reference

		Standard	Implementation	
Tag	Name	St Format	St Format	Usage / Remark
RFF				
C506	Reference	M	R	
1153	Reference code qualifier	M an..3	R an..3	Primary codes VA VAT registration number VA is required due to EU invoice directive Even below codes can be used in trade outside Nordic countries Secondary codes GN Government reference number XA Company/place registration number
1154	Reference identifier	C an..70	R an..17	
1156	Document line identifier	C an..6	N	Not used
4000	Reference version identifier	C an..35	N	Not used
1060	Revision identifier	C an..6	N	Not used

Remark:

Example:

RFF+VA:SE556481581801'

No = Consecutive segment number
 MaxOcc = Maximum occurrence of the segment/group
 Counter = Counter of segment/group within the standard

St = Status
 EDIFACT: M=Mandatory, C=Conditional
 User specific: R=Required, O=Optional, D=Dependent,
 A=Advised, N=Not used

SMSI Bygg faktura förenklad profil



Segments

Counter	No	Tag	St	MaxOcc	Level	Name
0330		SG5	O	1	2	CTA-COM
0340	11	CTA	R	1	2	Contact information

		Standard	Implementation	
Tag	Name	St Format	St Format	Usage / Remark
CTA				
3139	Contact function code	C an..3	R an..3	IC Information contact
C056	Department or employee details	C	R	
3413	Department or employee name code	C an..17	D an..17	Use for ID 06 <i>Use only for collection of goods and telephone orders</i>
3412	Department or employee name	C an..35	R an..35	Partners Info. Contact Department Or Employee

Remark:

Example:

CTA+IC+66-1234-1234:Karl Svensson'

No = Consecutive segment number
 MaxOcc = Maximum occurrence of the segment/group
 Counter = Counter of segment/group within the standard

St = Status
 EDIFACT: M=Mandatory, C=Conditional
 User specific: R=Required, O=Optional, D=Dependent,
 A=Advised, N=Not used

SMSI Bygg faktura förenklad profil



Segments

Counter	No	Tag	St	MaxOcc	Level	Name
0330		SG5	O	1	2	CTA-COM
0350	12	COM	O	2	3	Communication contact

		Standard	Implementation	
Tag	Name	St Format	St Format	Usage / Remark
COM				
C076	Communication contact	M	R	
3148	Communication address identifier	M an..512	R an..100	Partner's Communication Number or address
3155	Communication address code qualifier	M an..3	R an..3	TE Telephone EM Electronic mail

Remark:

Example:

COM+08-7681590:TE'

No = Consecutive segment number
 MaxOcc = Maximum occurrence of the segment/group
 Counter = Counter of segment/group within the standard

St = Status
 EDIFACT: M=Mandatory, C=Conditional
 User specific: R=Required, O=Optional, D=Dependent,
 A=Advised, N=Not used

SMSI Bygg faktura förenklad profil



Segments

Counter	No	Tag	St	MaxOcc	Level	Name
0360		SG6	O	3	1	VAT or other tax rate for VAT Exempt
0370	13	TAX	R	1	1	Duty/tax/fee details

		Standard		Implementation		
Tag	Name	St	Format	St	Format	Usage / Remark
TAX						
5283	Duty or tax or fee function code qualifier	M	an..3	R	an..3	7 Tax
C241	Duty/tax/fee type	C		C		
5153	Duty or tax or fee type name code	C	an..3	R	an..3	VAT Value added tax
1131	Code list identification code	C	an..17	N		Not used
3055	Code list responsible agency code	C	an..3	N		Not used
5152	Duty or tax or fee type name	C	an..35	N		Not used
C533	Duty/tax/fee account detail	C		C		
5289	Duty or tax or fee account code	M	an..6	M	an..6	
1131	Code list identification code	C	an..17	N		Not used
3055	Code list responsible agency code	C	an..3	N		Not used
5286	Duty or tax or fee assessment basis quantity	C	an..15	N		Not used
C243	Duty/tax/fee detail	C		D		
5279	Duty or tax or fee rate code	C	an..7	N		Not used
1131	Code list identification code	C	an..17	N		Not used
3055	Code list responsible agency code	C	an..3	N		Not used
5278	Duty or tax or fee rate	C	an..17	R	an..17	The tax rate (numeric) should be presented as follows: 19.5% ==> :19.5
5273	Duty or tax or fee rate basis code	C	an..12	N		Not used
1131	Code list identification code	C	an..17	N		Not used
3055	Code list responsible agency code	C	an..3	N		Not used
5305	Duty or tax or fee category code	C	an..3	R	an..3	The use of any valid EDIFACT code is permitted, the trading partners may limit the codes in accordance with business and legal requirements. (1) Codes created to comply with the European invoicing directive. These codes are not yet part of the official EDIFACT code list. In Europe it is recommended or may be even required to use these more specific codes instead of code E .

No = Consecutive segment number
 MaxOcc = Maximum occurrence of the segment/group
 Counter = Counter of segment/group within the standard

St = Status
 EDIFACT: M=Mandatory, C=Conditional
 User specific: R=Required, O=Optional, D=Dependent,
 A=Advised, N=Not used

Segments

		Standard	Implementation	
Tag	Name	St Format	St Format	Usage / Remark
				S Standard rate E Exempt from tax Tax Exemption Reason Code AAP VAT exempt/reverse charge, within the construction business, Article 199 1 a-b of Council Directive 2006/112/EC
3446	Party tax identifier	C an..20	N	Not used
1227	Calculation sequence code	C an..3	N	Not used

Remark:

When sending a message with data element 5278 in the TAX segment, the value added tax rate (numeric) should be presented in an alpha-numeric field as follows: 19,5% ==> :19.5

Example:

TAX+7+VAT+++:::19.5+S'

No = Consecutive segment number
 MaxOcc = Maximum occurrence of the segment/group
 Counter = Counter of segment/group within the standard

St = Status
 EDIFACT: M=Mandatory, C=Conditional
 User specific: R=Required, O=Optional, D=Dependent,
 A=Advised, N=Not used

Segments

Counter	No	Tag	St	MaxOcc	Level	Name
0400		SG7	R	1	1	Invoice Currency to Home or Payment Currency
0410	14	CUX	M	1	1	Currencies

		Standard	Implementation	
Tag	Name	St Format	St Format	Usage / Remark
CUX				
C504	Currency details	C	R	
6347	Currency usage code qualifier	M an..3	R an..3	2 Reference currency
6345	Currency identification code	C an..3	R an..3	Invoicing currency Home, Invoicing or Payment currency, coded according to ISO 4217 three alpha code.
6343	Currency type code qualifier	C an..3	R an..3	4 Invoicing currency Currency Purpose
6348	Currency rate	C n..4	N	Not used
C504	Currency details	C	O	
6347	Currency usage code qualifier	M an..3	M an..3	3 Target currency
6345	Currency identification code	C an..3	R an..3	Home or Payment currency, coded according to ISO 4217 three alpha code.
6343	Currency type code qualifier	C an..3	R an..3	Currency Purpose 3 Home currency 11 Payment currency
6348	Currency rate	C n..4	N	Not used
5402	Currency exchange rate	C n..12	R n..12	Currency Conversion Rate
6341	Exchange rate currency market identifier	C an..3	N	Not used

Remark:

One segment group is always required depending on business case.

SG7 First occurrence:

In some countries it is a requirement that , for invoicing in foreign currency, the invoice taxable and tax (e.g VAT) amounts must also be expressed in home currency.

Relating this to the CUX segment, authorities would require the invoicing currency and home currency to be shown together with the rate of exchange(element 5402) used.

Some companies require the currency of the invoice to be present, If, then, only one currency applies to the invoice it may be expressed as CUX+2:SEK:4+3:SEK:4:1' .

Calculation rule: Reference Currency multiplied by rate = Target Currency

If more currencies have to be transmitted, another SG7 - CUX, DTM has to be created and rules for that are described in next CUX segment.

Example:

CUX+2:EUR:4+3:EUR:11+1'

No = Consecutive segment number
 MaxOcc = Maximum occurrence of the segment/group
 Counter = Counter of segment/group within the standard

St = Status
 EDIFACT: M=Mandatory, C=Conditional
 User specific: R=Required, O=Optional, D=Dependent, A=Advised, N=Not used

Segments

Counter	No	Tag	St	MaxOcc	Level	Name
0400		SG7	R	1	1	Invoice Currency to Home or Payment Currency
0420	15	DTM	D	1	2	Exchange rate date

		Standard	Implementation	
Tag	Name	St Format	St Format	Usage / Remark
DTM				
C507	Date/time/period	M	M	
2005	Date or time or period function code qualifier	M an..3	M an..3	134 Rate of exchange date/time
2380	Date or time or period text	C an..35	R n8	Rate of Exchange Date
2379	Date or time or period format code	C an..3	R an..3	102 CCYYMMDD

Remark:
The exchange rate date has to be specified only when payment currency is used in an invoice.

Example:
 DTM+134:20070101:102'

No = Consecutive segment number
 MaxOcc = Maximum occurrence of the segment/group
 Counter = Counter of segment/group within the standard

St = Status
 EDIFACT: M=Mandatory, C=Conditional
 User specific: R=Required, O=Optional, D=Dependent,
 A=Advised, N=Not used

Segments

Counter	No	Tag	St	MaxOcc	Level	Name
0430		SG8	D	6	1	PYT-DTM-PCD-MOA Payment instructions
0440	16	PYT	R	1	1	Payment terms

		Standard	Implementation	
Tag	Name	St Format	St Format	Usage / Remark
PYT				
4279	Payment terms type code qualifier	M an..3	M an..3	Payment Terms Type Coded Primary codes 1 Basic 3 Fixed date
C019	Payment terms	C	N	
4277	Payment terms description identifier	C an..17	N	Not used
1131	Code list identification code	C an..17	N	Not used
3055	Code list responsible agency code	C an..3	N	Not used
4276	Payment terms description	C an..35	N	Not used
2475	Time reference code	C an..3	O an..3	66 Specified date
2009	Terms time relation code	C an..3	N	Not used
2151	Period type code	C an..3	N	Not used
2152	Period count quantity	C n..3	N	Not used

Remark:

Example:

PYT+3++66'

No = Consecutive segment number
 MaxOcc = Maximum occurrence of the segment/group
 Counter = Counter of segment/group within the standard

St = Status
 EDIFACT: M=Mandatory, C=Conditional
 User specific: R=Required, O=Optional, D=Dependent,
 A=Advised, N=Not used

Segments

Counter	No	Tag	St	MaxOcc	Level	Name
0430		SG8	D	6	1	PYT-DTM-PCD-MOA Payment instructions
0450	17	DTM	O	1	2	Payment due date

		Standard	Implementation	
Tag	Name	St Format	St Format	Usage / Remark
DTM				
C507	Date/time/period	M	R	
2005	Date or time or period function code qualifier	M an..3	R an..3	13 Terms net due date 140 Payment due date
2380	Date or time or period text	C an..35	R an..35	
2379	Date or time or period format code	C an..3	R an..3	102 CCYYMMDD

Remark:

This segment can be used in conjunction with any of the applicable qualifiers in the leading PYT segment.

Example:

DTM+13:20070320:102'

No = Consecutive segment number
 MaxOcc = Maximum occurrence of the segment/group
 Counter = Counter of segment/group within the standard

St = Status
 EDIFACT: M=Mandatory, C=Conditional
 User specific: R=Required, O=Optional, D=Dependent,
 A=Advised, N=Not used

SMSI Bygg faktura förenklad profil



Segments

Counter	No	Tag	St	MaxOcc	Level	Name
0590		SG12	D	1	1	TOD-LOC
0600	18	TOD	R	1	1	Terms of delivery or transport

		Standard	Implementation	
Tag	Name	St Format	St Format	Usage / Remark
TOD				
4055	Delivery or transport terms function code	C an..3	R an..3	6 Delivery condition 4 Collected by customer
4215	Transport charges payment method code	C an..3	N	Not used
C100	Terms of delivery or transport	C	R	
4053	Delivery or transport terms description code	C an..3	C an..3	CFR Cost and Freight CIF Cost, Insurance, Freight (... named port of destination) CIP Carriage and Insurance Paid to (... named place of destination) CPT Carriage Paid To (... named place of destination) CPT Carriage Paid To (... named place of destination) CPT Carriage Paid To (... named place of destination) DDU Delivered Duty Unpaid (... named place of destination) DEQ Delivered Ex Quay (Duty paid) (... named port of destination) DES Delivered Ex Ship (... named port of destination) EXW Ex Works (... named place) FAS Free Along Ship (... named port of shipment) FCA Free Carrier (... named place) FOB Free On Board (... named port of shipment)
1131	Code list identification code	C an..17	N	Not used
3055	Code list responsible agency code	C an..3	N	Not used
4052	Delivery or transport terms description	C an..70	N	Not used
4052	Delivery or transport terms description	C an..70	N	Not used

Remark:

Example:

TOD+6++CIF'

No = Consecutive segment number
MaxOcc = Maximum occurrence of the segment/group
Counter = Counter of segment/group within the standard

St = Status
EDIFACT: M=Mandatory, C=Conditional
User specific: R=Required, O=Optional, D=Dependent,
A=Advised, N=Not used

Segments

Counter	No	Tag	St	MaxOcc	Level	Name
0590		SG12	D	1	1	TOD-LOC
0610	19	LOC	D	1	2	Place/location identification

		Standard	Implementation	
Tag	Name	St Format	St Format	Usage / Remark
LOC				
3227	Location function code qualifier	M an..3	R an..3	7 Place of delivery
C517	Location identification	C	R	
3225	Location name code	C an..35	N	Not used
1131	Code list identification code	C an..17	N	Not used
3055	Code list responsible agency code	C an..3	N	Not used
3224	Location name	C an..256	D an..70	Place of delivery
C519	Related location one identification	C	N	
3223	First related location name code	C an..25	N	Not used
1131	Code list identification code	C an..17	N	Not used
3055	Code list responsible agency code	C an..3	N	Not used
3222	First related location name	C an..70	N	Not used
C553	Related location two identification	C	N	
3233	Second related location name code	C an..25	N	Not used
1131	Code list identification code	C an..17	N	Not used
3055	Code list responsible agency code	C an..3	N	Not used
3232	Second related location name	C an..70	N	Not used
5479	Relation code	C an..3	N	Not used

Remark:

Example:

LOC+7+:::X'

No = Consecutive segment number
 MaxOcc = Maximum occurrence of the segment/group
 Counter = Counter of segment/group within the standard

St = Status
 EDIFACT: M=Mandatory, C=Conditional
 User specific: R=Required, O=Optional, D=Dependent,
 A=Advised, N=Not used

SMSI Bygg faktura förenklad profil



Segments

Counter	No	Tag	St	MaxOcc	Level	Name
0650		SG14	O	1	1	PAC-SG15
0660	20	PAC	R	1	1	Package

		Standard	Implementation	
Tag	Name	St Format	St Format	Usage / Remark
PAC				
7224	Package quantity	C n..8	O n..8	Number of package Can be blank
C531	Packaging details	C	N	
7075	Packaging level code	C an..3	N	Not used
7233	Packaging related description code	C an..3	N	Not used
7073	Packaging terms and conditions code	C an..3	N	Not used
C202	Package type	C	N	
7065	Package type description code	C an..17	N	Not used
1131	Code list identification code	C an..17	N	Not used
3055	Code list responsible agency code	C an..3	N	Not used
7064	Type of packages	C an..35	N	Not used
C402	Package type identification	C	O	
7077	Description format code	M an..3	R an..3	E Free-form short description
7064	Type of packages	M an..35	R an..35	Free Text
7143	Item type identification code	C an..3	N	Not used
7064	Type of packages	C an..35	N	Not used
7143	Item type identification code	C an..3	N	Not used
C532	Returnable package details	C	N	
8395	Returnable package freight payment responsibility code	C an..3	N	Not used
8393	Returnable package load contents code	C an..3	N	Not used

Remark:

Example:

PAC+3+++E:Kartong'

No = Consecutive segment number
 MaxOcc = Maximum occurrence of the segment/group
 Counter = Counter of segment/group within the standard

St = Status
 EDIFACT: M=Mandatory, C=Conditional
 User specific: R=Required, O=Optional, D=Dependent,
 A=Advised, N=Not used

SMSI Bygg faktura förenklad profil



Segments

Counter	No	Tag	St	MaxOcc	Level	Name
0690		SG15	R	2	2	PCI
0700	21	PCI	R	1	2	Package identification

		Standard	Implementation	
Tag	Name	St Format	St Format	Usage / Remark
PCI				
4233	Marking instructions code	C an..3	O an..3	16 Buyer's instructions 17 Seller's instructions
C210	Marks & labels	C	R	
7102	Shipping marks description	M an..35	R an..35	Marks
7102	Shipping marks description	C an..35	O an..35	Marks
7102	Shipping marks description	C an..35	O an..35	Marks
7102	Shipping marks description	C an..35	O an..35	Marks
7102	Shipping marks description	C an..35	N	Not used
7102	Shipping marks description	C an..35	N	Not used
7102	Shipping marks description	C an..35	N	Not used
7102	Shipping marks description	C an..35	N	Not used
7102	Shipping marks description	C an..35	N	Not used
8275	Container or package contents indicator code	C an..3	N	Not used
C827	Type of marking	C	N	
7511	Marking type code	M an..3	N	Not used
1131	Code list identification code	C an..17	N	Not used
3055	Code list responsible agency code	C an..3	N	Not used

Remark:

Example:

PCI+16+Blåsippan:Text:Text:Text'

No = Consecutive segment number
 MaxOcc = Maximum occurrence of the segment/group
 Counter = Counter of segment/group within the standard

St = Status
 EDIFACT: M=Mandatory, C=Conditional
 User specific: R=Required, O=Optional, D=Dependent,
 A=Advised, N=Not used

SMSI Bygg faktura förenklad profil



Segments

Counter	No	Tag	St	MaxOcc	Level	Name
0740		SG16	D	15	1	ALC-SG19-SG20-SG22
0750	22	ALC	R	1	1	Allowance or charge

		Standard	Implementation		
Tag	Name	St Format	St Format	Usage / Remark	
ALC					
5463	Allowance or charge code qualifier	M an..3	R an..3	A Allowance C Charge	
C552	Allowance/charge information	C	D		
1230	Allowance or charge identifier	C an..35	D an..35	Description of allowance or charge <i>Används om DE7161 = PO</i>	
5189	Allowance or charge identification code	C an..3	N	Not used	
4471	Settlement means code	C an..3	N	Not used	
1227	Calculation sequence code	C an..3	N	Not used	
C214	Special services identification	C	R		
7161	Special service description code	C an..3	R an..3	Primary Codes Charge AEV Environmental protection service FC Freight service IN Insurance RCH Return Charge Primary codes Discounts DI Discount PAE Promotional discount ZZZ Mutually defined Secondary Codes Charge ACO Alloy surcharge SZ Steel surcharge ADB Drum deposit RAD Returnable container NAA Non-returnable containers ABK Miscellaneous <i>Use C214/7160 to describe when you are using code ABK of following charge</i> Koppartillägg, Återtagningsavgift, Kapavgift, El-returavgift, Råvarutillägg Secondary Codes Discount ZBS Bonus ZBP Bonus last year ZCL Claim	
1131	Code list identification code	C an..17	N	Not used	
3055	Code list responsible agency code	C an..3	N	Not used	
7160	Special service description	C an..35	O an..35	Description of special service	
7160	Special service description	C an..35	N	Not used	

No = Consecutive segment number
 MaxOcc = Maximum occurrence of the segment/group
 Counter = Counter of segment/group within the standard

St = Status
 EDIFACT: M=Mandatory, C=Conditional
 User specific: R=Required, O=Optional, D=Dependent,
 A=Advised, N=Not used

Segments

Remark:

Example:

ALC+A+X+++FC:::X'

No = Consecutive segment number
MaxOcc = Maximum occurrence of the segment/group
Counter = Counter of segment/group within the standard

St = Status
EDIFACT: M=Mandatory, C=Conditional
User specific: R=Required, O=Optional, D=Dependent,
A=Advised, N=Not used

Segments

Counter	No	Tag	St	MaxOcc	Level	Name
0840		SG19	D	1	2	PCD
0850	23	PCD	R	1	2	Percentage details

		Standard	Implementation	
Tag	Name	St Format	St Format	Usage / Remark
PCD				
C501	Percentage details	M	R	
5245	Percentage type code qualifier	M an..3	R an..3	3 Allowance or charge 12 Discount 13 Amount tolerance
5482	Percentage	C n..10	R n..10	
5249	Percentage basis identification code	C an..3	N	Not used
1131	Code list identification code	C an..17	N	Not used
3055	Code list responsible agency code	C an..3	N	Not used
4405	Status description code	C an..3	N	Not used

Remark:

Example:

PCD+12:9'

No = Consecutive segment number
 MaxOcc = Maximum occurrence of the segment/group
 Counter = Counter of segment/group within the standard

St = Status
 EDIFACT: M=Mandatory, C=Conditional
 User specific: R=Required, O=Optional, D=Dependent,
 A=Advised, N=Not used

Segments

Counter	No	Tag	St	MaxOcc	Level	Name
0870		SG20	D	2	2	MOA
0880	24	MOA	R	1	2	Monetary amount

		Standard	Implementation	
Tag	Name	St Format	St Format	Usage / Remark
MOA				
C516	Monetary amount	M	R	
5025	Monetary amount type code qualifier	M an..3	R an..3	8 Allowance or charge amount
5004	Monetary amount	C n..35	R n..18	
6345	Currency identification code	C an..3	D an..3	
6343	Currency type code qualifier	C an..3	N	Not used
4405	Status description code	C an..3	N	Not used

Remark:

Example:

MOA+8:9:AED'

No = Consecutive segment number
 MaxOcc = Maximum occurrence of the segment/group
 Counter = Counter of segment/group within the standard

St = Status
 EDIFACT: M=Mandatory, C=Conditional
 User specific: R=Required, O=Optional, D=Dependent,
 A=Advised, N=Not used

SMSI Bygg faktura förenklad profil



Segments

Counter	No	Tag	St	MaxOcc	Level	Name
0950		SG22	D	1	2	Allowance/charge - applicable VAT rate
0960	25	TAX	R	1	2	Allowance/charge - applicable VAT rate

		Standard		Implementation		
Tag	Name	St	Format	St	Format	Usage / Remark
TAX						
5283	Duty or tax or fee function code qualifier	M	an..3	R	an..3	7 Tax
C241	Duty/tax/fee type	C		R		
5153	Duty or tax or fee type name code	C	an..3	R	an..3	VAT Value added tax ENV Environmental tax
1131	Code list identification code	C	an..17	N		Not used
3055	Code list responsible agency code	C	an..3	N		Not used
5152	Duty or tax or fee type name	C	an..35	N		Not used
C533	Duty/tax/fee account detail	C		N		
5289	Duty or tax or fee account code	M	an..6	N		Not used
1131	Code list identification code	C	an..17	N		Not used
3055	Code list responsible agency code	C	an..3	N		Not used
5286	Duty or tax or fee assessment basis quantity	C	an..15	N		Not used
C243	Duty/tax/fee detail	C		D		
5279	Duty or tax or fee rate code	C	an..7	N		Not used
1131	Code list identification code	C	an..17	N		Not used
3055	Code list responsible agency code	C	an..3	N		Not used
5278	Duty or tax or fee rate	C	an..17	R	an..17	The tax rate (numeric) should be presented as follows: 19.5% ==> :19.5
5273	Duty or tax or fee rate basis code	C	an..12	N		Not used
1131	Code list identification code	C	an..17	N		Not used
3055	Code list responsible agency code	C	an..3	N		Not used
5305	Duty or tax or fee category code	C	an..3	R	an..3	The use of any valid EDIFACT code is permitted, the trading partners may limit the codes in accordance with business and legal requirements. (1) Codes created to comply with the European invoicing directive. These codes are not yet part of the official EDIFACT code list. In Europe it is recommended or may be even required to use these more specific codes instead of code E .

No = Consecutive segment number
 MaxOcc = Maximum occurrence of the segment/group
 Counter = Counter of segment/group within the standard

St = Status
 EDIFACT: M=Mandatory, C=Conditional
 User specific: R=Required, O=Optional, D=Dependent,
 A=Advised, N=Not used

Segments

		Standard	Implementation	
Tag	Name	St Format	St Format	Usage / Remark
				E Exempt from tax S Standard rate Tax Exemption Reason Code AAP VAT exempt/reverse charge, within the construction business, Article 199 1 a-b of Council Directive 2006/112/EC
3446	Party tax identifier	C an..20	N	Not used
1227	Calculation sequence code	C an..3	N	Not used

Remark:

When sending a message with data element 5278 in the TAX segment, the value added tax rate (numeric) should be presented in an alpha-numeric field as follows: 19,5% ==> :19.5

Example:

TAX+7+VAT+++:::19.5+S'

No = Consecutive segment number
 MaxOcc = Maximum occurrence of the segment/group
 Counter = Counter of segment/group within the standard

St = Status
 EDIFACT: M=Mandatory, C=Conditional
 User specific: R=Required, O=Optional, D=Dependent,
 A=Advised, N=Not used

Segments

Counter	No	Tag	St	MaxOcc	Level	Name
0950		SG22	D	1	2	Allowance/charge - applicable VAT rate
0970	26	MOA	D	1	3	Monetary amount

		Standard	Implementation	
Tag	Name	St Format	St Format	Usage / Remark
MOA				
C516	Monetary amount	M	R	
5025	Monetary amount type code qualifier	M an..3	R an..3	124 Tax amount 125 Taxable amount
5004	Monetary amount	C n..35	R n..35	Amount
6345	Currency identification code	C an..3	O an..3	ISO 4217
6343	Currency type code qualifier	C an..3	N	Not used
4405	Status description code	C an..3	N	Not used

Remark:

Example:

MOA+124:100.00:SEK'

No = Consecutive segment number
 MaxOcc = Maximum occurrence of the segment/group
 Counter = Counter of segment/group within the standard

St = Status
 EDIFACT: M=Mandatory, C=Conditional
 User specific: R=Required, O=Optional, D=Dependent,
 A=Advised, N=Not used

SMSI Bygg faktura förenklad profil



Segments

Counter	No	Tag	St	MaxOcc	Level	Name
1090		SG26	R	99999	1	Line item section
1100	27	LIN	R	1	1	Line item

		Standard	Implementation	
Tag	Name	St Format	St Format	Usage / Remark
LIN				
1082	Line item identifier	C an..6	R n..6	Line Item Number
1229	Action request/notification description code	C an..3	N	Not used
C212	Item number identification	C	O	
7140	Item identifier	C an..35	R an..35	GTIN Global trade identification number
7143	Item type identification code	C an..3	R an..3	EN International Article Numbering Association (EAN)
1131	Code list identification code	C an..17	N	Not used
3055	Code list responsible agency code	C an..3	D an..3	9 EAN International
C829	Sub-line information	C	N	
5495	Sub-line indicator code	C an..3	N	Not used
1082	Line item identifier	C an..6	N	Not used
1222	Configuration level number	C n..2	N	Not used
7083	Configuration operation code	C an..3	N	Not used

Remark:

Example:

LIN+1++7391753025628:EN::9'

No = Consecutive segment number
 MaxOcc = Maximum occurrence of the segment/group
 Counter = Counter of segment/group within the standard

St = Status
 EDIFACT: M=Mandatory, C=Conditional
 User specific: R=Required, O=Optional, D=Dependent,
 A=Advised, N=Not used

SMSI Bygg faktura förenklad profil



Segments

Counter	No	Tag	St	MaxOcc	Level	Name
1090		SG26	R	99999	1	Line item section
1110	28	PIA	O	1	2	Additional article identifier(s) 1

Standard			Implementation	
Tag	Name	St Format	St Format	Usage / Remark
PIA				
4347	Product identifier code qualifier	M an..3	R an..3	1 Additional identification
C212	Item number identification	M	R	
7140	Item identifier	C an..35	R an..35	Additional Article Number 1
7143	Item type identification code	C an..3	R an..3	Secondary codes BP Buyer's part number SA Supplier's article number NO1 Nobb number TBF Norway SRS RSK number SN Serial number MP Product/service identification number Code MP uses for TUN Number in Denmark NRF Norsk rörgrossist varunr EFO Elektronikbransjensnummer i Norge ZBF VILMA/Finfour Sweden ZEN E-nummer Svenska elgrossist HS Harmonised system
1131	Code list identification code	C an..17	N	Not used
3055	Code list responsible agency code	C an..3	N	Not used
C212	Item number identification	C	O	See group C212 #1
7140	Item identifier	C an..35	O an..35	Additional Article Number 2
7143	Item type identification code	C an..3	O an..3	
1131	Code list identification code	C an..17	N	Not used
3055	Code list responsible agency code	C an..3	N	Not used
C212	Item number identification	C	O	See group C212 #1
7140	Item identifier	C an..35	O an..35	Additional Article Number 3
7143	Item type identification code	C an..3	O an..3	
1131	Code list identification code	C an..17	N	Not used
3055	Code list responsible agency code	C an..3	N	Not used
C212	Item number identification	C	O	See group C212 #1
7140	Item identifier	C an..35	O an..35	Additional Article Number 3
7143	Item type identification code	C an..3	O an..3	
1131	Code list identification code	C an..17	N	Not used

No = Consecutive segment number
 MaxOcc = Maximum occurrence of the segment/group
 Counter = Counter of segment/group within the standard

St = Status
 EDIFACT: M=Mandatory, C=Conditional
 User specific: R=Required, O=Optional, D=Dependent,
 A=Advised, N=Not used

Segments

		Standard	Implementation	
Tag	Name	St Format	St Format	Usage / Remark
3055	Code list responsible agency code	C an..3	N	Not used
C212	Item number identification	C	O	See group C212 #1
7140	Item identifier	C an..35	O an..35	Additional Article Number 3
7143	Item type identification code	C an..3	O an..3	
1131	Code list identification code	C an..17	N	Not used
3055	Code list responsible agency code	C an..3	N	Not used

Remark:

Any occurrence of CDE C212 may be qualified with one of the listed codes.

Example:

PIA+1+23717986:NO1+037203:SA+123456:BP'

No = Consecutive segment number
 MaxOcc = Maximum occurrence of the segment/group
 Counter = Counter of segment/group within the standard

St = Status
 EDIFACT: M=Mandatory, C=Conditional
 User specific: R=Required, O=Optional, D=Dependent,
 A=Advised, N=Not used

Segments

Counter	No	Tag	St	MaxOcc	Level	Name
1090		SG26	R	99999	1	Line item section
1130	29	IMD	O	1	2	Description of article or service

		Standard	Implementation	
Tag	Name	St Format	St Format	Usage / Remark
IMD				
7077	Description format code	C an..3	R an..3	F Free-form
C272	Item characteristic	C	D	
7081	Item characteristic code	C an..3	N	Not used
1131	Code list identification code	C an..17	N	Not used
3055	Code list responsible agency code	C an..3	N	Not used
C273	Item description	C	R	
7009	Item description code	C an..17	N	Not used
1131	Code list identification code	C an..17	N	Not used
3055	Code list responsible agency code	C an..3	N	Not used
7008	Item description	C an..256	R an..256	Description
7008	Item description	C an..256	O an..256	see 7008 # 1
3453	Language name code	C an..3	O an..3	
7383	Surface or layer code	C an..3	N	Not used

Remark:

Example:

IMD+F+++::Huggmejsel 95:250x28 mm:SV'

No = Consecutive segment number
 MaxOcc = Maximum occurrence of the segment/group
 Counter = Counter of segment/group within the standard

St = Status
 EDIFACT: M=Mandatory, C=Conditional
 User specific: R=Required, O=Optional, D=Dependent,
 A=Advised, N=Not used

Segments

Counter	No	Tag	St	MaxOcc	Level	Name
1090		SG26	R	99999	1	Line item section
1150	30	QTY	D	1	2	Invoiced quantity

Standard			Implementation	
Tag	Name	St Format	St Format	Usage / Remark
QTY				
C186	Quantity details	M	R	
6063	Quantity type code qualifier	M an..3	R an..3	47 Invoiced quantity Secondary codes 21 Ordered quantity
6060	Quantity	M an..35	R n..10	Invoice Quantity
6411	Measurement unit code	C an..8	D an..3	Units Use PCE as default PCE Piece EA each MTQ cubic metre MTK square metre MTR metre LTR litre RO roll KGM kilogram TNE tonne (metric ton) UNECE Recommendation 20

Remark:

The quantity invoiced is necessary for line items belonging to an invoice, credit or debit note. It might be omitted in the invoice response and invoice trailer message.

Example:

QTY+47:5:PCE'

No = Consecutive segment number
 MaxOcc = Maximum occurrence of the segment/group
 Counter = Counter of segment/group within the standard

St = Status
 EDIFACT: M=Mandatory, C=Conditional
 User specific: R=Required, O=Optional, D=Dependent,
 A=Advised, N=Not used

Segments

Counter	No	Tag	St	MaxOcc	Level	Name
1090		SG26	R	99999	1	Line item section
1170	31	ALI	O	1	2	Additional information

Standard			Implementation	
Tag	Name	St Format	St Format	Usage / Remark
ALI				
3239	Country of origin name code	C an..3	D an..3	Country Of Origin Coded ISO 3166
9213	Duty regime type code	C an..3	O an..3	1 Origin subject to EC/EFTA preference 2 Origin subject to other preference agreement 3 No preference origin
4183	Special condition code	C an..3	O an..3	Nature Of Transaction Coded, Only for Credit note 108 Financial compensation 140 Return of goods 141 Subject to annual bonus 79E Error in delivery Z01 Damage goods <i>Det kan komma upp en fråga om att markera på faktura raden om den är bonusgrundande eller ej. Innan vi tar bort nedanstående koder bör vi undersöka behovet igen.</i> Z02 No bonus Z03 Bonusbyggande Z04 Bonus givande Z05 Bonusbyggande och bonus givande
4183	Special condition code	C an..3	N	Not used
4183	Special condition code	C an..3	N	Not used
4183	Special condition code	C an..3	N	Not used
4183	Special condition code	C an..3	N	Not used

Remark:

Example:

ALI+NO+1+108'

No = Consecutive segment number
 MaxOcc = Maximum occurrence of the segment/group
 Counter = Counter of segment/group within the standard

St = Status
 EDIFACT: M=Mandatory, C=Conditional
 User specific: R=Required, O=Optional, D=Dependent,
 A=Advised, N=Not used

SMSI Bygg faktura förenklad profil



Segments

Counter	No	Tag	St	MaxOcc	Level	Name
1090		SG26	R	99999	1	Line item section
1180	32	DTM	D	1	2	Delivery date

		Standard	Implementation	
Tag	Name	St Format	St Format	Usage / Remark
DTM				
C507	Date/time/period	M	R	
2005	Date or time or period function code qualifier	M an..3	R an..3	35 Delivery date/time, actual
2380	Date or time or period text	C an..35	R n..14	
2379	Date or time or period format code	C an..3	R an..3	102 CCYYMMDD 203 CCYYMMDDHHMM

Remark:

Example:

DTM+35:20070320:102'

No = Consecutive segment number
 MaxOcc = Maximum occurrence of the segment/group
 Counter = Counter of segment/group within the standard

St = Status
 EDIFACT: M=Mandatory, C=Conditional
 User specific: R=Required, O=Optional, D=Dependent,
 A=Advised, N=Not used

Segments

Counter	No	Tag	St	MaxOcc	Level	Name
1250		SG27	R	1	2	Line item net amount
1260	33	MOA	R	1	2	Line item net amount in invoice currency

		Standard	Implementation		
Tag	Name	St Format	St Format	Usage / Remark	
MOA					
C516	Monetary amount	M	R		
5025	Monetary amount type code qualifier	M an..3	R an..3	203 Line item amount	
5004	Monetary amount	C n..35	R n..15	Amount	
6345	Currency identification code	C an..3	O an..3	<i>For currency, one may also refer to CUX segment (invoice currency)</i>	
6343	Currency type code qualifier	C an..3	N	Not used	
4405	Status description code	C an..3	N	Not used	

Remark:

The line item amount is the total related to this line item. It includes rebates and additions but excludes payment discount and VAT.

Example:

MOA+203:1250.73:SEK'

No = Consecutive segment number
 MaxOcc = Maximum occurrence of the segment/group
 Counter = Counter of segment/group within the standard

St = Status
 EDIFACT: M=Mandatory, C=Conditional
 User specific: R=Required, O=Optional, D=Dependent, A=Advised, N=Not used

SMSI Bygg faktura förenklad profil



Segments

Counter	No	Tag	St	MaxOcc	Level	Name
1330		SG29	O	1	2	Calculation price
1340	34	PRI	R	1	2	Price details

		Standard	Implementation	
Tag	Name	St Format	St Format	Usage / Remark
PRI				
C509	Price information	C	R	
5125	Price code qualifier	M an..3	R an..3	Primary codes AAA Calculation net Secondary codes AAB Calculation gross AAB Only for information The price stated is the net price including allowances/ charges. Allowances/charges may be stated for information only.
5118	Price amount	C n..15	R n..15	
5375	Price type code	C an..3	O an..3	CA Catalogue CT Contract
5387	Price specification code	C an..3	O an..3	CP Current price PRP Promotional price NC Utan debitering
5284	Unit price basis quantity	C n..9	O n..9	Price per 1000, 100, 1
6411	Measurement unit code	C an..8	O an..3	Use PCE as default PCE Piece EA each MTQ cubic metre MTK square metre MTR metre LTR litre RO roll UN/ECE Recommendation 20
5213	Sub-line item price change operation code	C an..3	N	Not used

Remark:

Price including allowances and charges (ALC), this represents the net price applicable to the line, it does also include any allowances/charges (ALCs) that may be applicable to the line and which are deductible from the gross price.

Example:

PRI+AAA:75.10:CT:PRP:1:PCE'

No = Consecutive segment number
 MaxOcc = Maximum occurrence of the segment/group
 Counter = Counter of segment/group within the standard

St = Status
 EDIFACT: M=Mandatory, C=Conditional
 User specific: R=Required, O=Optional, D=Dependent,
 A=Advised, N=Not used

SMSI Bygg faktura förenklad profil



Segments

Counter	No	Tag	St	MaxOcc	Level	Name
1390		SG30	O	10	2	References to messages
1400	35	RFF	R	1	2	Reference message number

		Standard	Implementation	
Tag	Name	St Format	St Format	Usage / Remark
RFF				
C506	Reference	M	R	
1153	Reference code qualifier	M an..3	R an..3	Primary codes ON Buyers order number Secondary codes AAK Despatch advice number AEP Project number ADE Account number ADT Group accounting CR Customer reference number VN Order number (vendor)
1154	Reference identifier	C an..70	R an..70	
1156	Document line identifier	C an..6	O n..6	
4000	Reference version identifier	C an..35	N	Not used
1060	Revision identifier	C an..6	N	Not used

Remark:

Example:

RFF+AAK:123456:1'

No = Consecutive segment number
 MaxOcc = Maximum occurrence of the segment/group
 Counter = Counter of segment/group within the standard

St = Status
 EDIFACT: M=Mandatory, C=Conditional
 User specific: R=Required, O=Optional, D=Dependent,
 A=Advised, N=Not used

Segments

Counter	No	Tag	St	MaxOcc	Level	Name
1550		SG34	O	2	2	VAT or other tax rate and amount for line item <i>This segment group is required when VAT is calculated at the line item level. Tax identification is required at the line item level as different goods and services can be taxed at different rates. That concerns VAT as well as different intrastate or interstate tax rates in the US. If only one tax rate applies to all line items, this segment group can be omitted.</i>
1560	36	TAX	R	1	2	VAT or other tax rate line item

		Standard	Implementation	
Tag	Name	St Format	St Format	Usage / Remark
TAX				
5283	Duty or tax or fee function code qualifier	M an..3	R an..3	7 Tax
C241	Duty/tax/fee type	C	R	
5153	Duty or tax or fee type name code	C an..3	R an..3	VAT Value added tax ENV Environmental tax
1131	Code list identification code	C an..17	N	Not used
3055	Code list responsible agency code	C an..3	N	Not used
5152	Duty or tax or fee type name	C an..35	N	Not used
C533	Duty/tax/fee account detail	C	N	
5289	Duty or tax or fee account code	M an..6	N	Not used
1131	Code list identification code	C an..17	N	Not used
3055	Code list responsible agency code	C an..3	N	Not used
5286	Duty or tax or fee assessment basis quantity	C an..15	N	Not used
C243	Duty/tax/fee detail	C	O	
5279	Duty or tax or fee rate code	C an..7	N	Not used
1131	Code list identification code	C an..17	N	Not used
3055	Code list responsible agency code	C an..3	N	Not used
5278	Duty or tax or fee rate	C an..17	R n..7	The tax rate (numeric) should be presented as follows: 19.5% ==> :19.5
5273	Duty or tax or fee rate basis code	C an..12	N	Not used
1131	Code list identification code	C an..17	N	Not used
3055	Code list responsible agency code	C an..3	N	Not used
5305	Duty or tax or fee category code	C an..3	R an..3	The use of any valid EDIFACT code is permitted, the trading partners may limit the codes in accordance with business and legal requirements. (1) Codes created to comply with the European invoicing

No = Consecutive segment number
 MaxOcc = Maximum occurrence of the segment/group
 Counter = Counter of segment/group within the standard

St = Status
 EDIFACT: M=Mandatory, C=Conditional
 User specific: R=Required, O=Optional, D=Dependent,
 A=Advised, N=Not used

Segments

		Standard	Implementation	
Tag	Name	St Format	St Format	Usage / Remark
				<i>directive. These codes are not yet part of the official EDIFACT code list. In Europe it is recommended or may be even required to use these more specific codes instead of code E .</i> S Standard rate E Exempt from tax Tax Exemption Reason Code AAP VAT exempt/reverse charge, within the construction business, Article 199 1 a-b of Council Directive 2006/112/EC
3446	Party tax identifier	C an..20	N	Not used
1227	Calculation sequence code	C an..3	N	Not used

Remark:

When sending a message with data element 5278 in the TAX segment, the value added tax rate (numeric) should be presented in an alpha-numeric field as follows: 19,5% ==> :19.5

Example:

TAX+7+VAT+++:::25+S'

No = Consecutive segment number
 MaxOcc = Maximum occurrence of the segment/group
 Counter = Counter of segment/group within the standard

St = Status
 EDIFACT: M=Mandatory, C=Conditional
 User specific: R=Required, O=Optional, D=Dependent,
 A=Advised, N=Not used

SMSI Bygg faktura förenklad profil



Segments

Counter	No	Tag	St	MaxOcc	Level	Name
1720		SG39	O	10	2	Allowances or charges
1730	37	ALC	R	1	2	Allowance/charge

		Standard	Implementation	
Tag	Name	St Format	St Format	Usage / Remark
ALC				
5463	Allowance or charge code qualifier	M an..3	R an..3	Allowance/Charge Qualifier A Allowance C Charge
C552	Allowance/charge information	C	D	
1230	Allowance or charge identifier	C an..35	O an..35	Rebategroup. Business process description is missing Reason code
5189	Allowance or charge identification code	C an..3	N	Not used
4471	Settlement means code	C an..3	N	Not used
1227	Calculation sequence code	C an..3	N	Not used
C214	Special services identification	C	R	
7161	Special service description code	C an..3	R an..3	Primary Codes Charge AEV Environmental protection service FC Freight service IN Insurance RCH Charge for return of goods BPE Broken Package charge Primary codes Discounts DI Discount PAE Promotional discount PAD Promotional allowance PDE Pall rabatt ZDG Rabatt grup QD Quantity discount Secondary Codes Charge ACO Alloy surcharge ADB Drum deposit SZ Steel surcharge ABP Carriage charge NAA Non-returnable containers ABK Miscellaneous <i>Use C214/7160 to describe when you are using code ABK of following charge</i> <i>Koppartillägg, Återtagningsavgift, Kapavgift, El-returavgift, Råvarutillägg</i> Secondary Codes Discount ZBS Bonus ZBP Bonus last year ZCL Claim
1131	Code list identification code	C an..17	N	Not used

No = Consecutive segment number
 MaxOcc = Maximum occurrence of the segment/group
 Counter = Counter of segment/group within the standard

St = Status
 EDIFACT: M=Mandatory, C=Conditional
 User specific: R=Required, O=Optional, D=Dependent,
 A=Advised, N=Not used

Segments

		Standard	Implementation	
Tag	Name	St Format	St Format	Usage / Remark
3055	Code list responsible agency code	C an..3	N	Not used
7160	Special service description	C an..35	O an..35	Description of special service
7160	Special service description	C an..35	N	Not used

Remark:

Example:

ALC+A++++DI:::Text'

No = Consecutive segment number
 MaxOcc = Maximum occurrence of the segment/group
 Counter = Counter of segment/group within the standard

St = Status
 EDIFACT: M=Mandatory, C=Conditional
 User specific: R=Required, O=Optional, D=Dependent,
 A=Advised, N=Not used

Segments

Counter	No	Tag	St	MaxOcc	Level	Name
1800		SG41	D	1	3	Allowance/charge - percentage <i>Either SG41 (percentage) or SG42 (monetary amount) has to be sent.</i>
1810	38	PCD	R	1	3	Allowance/charge Percentage

Standard			Implementation	
Tag	Name	St Format	St Format	Usage / Remark
PCD				
C501	Percentage details	M	R	
5245	Percentage type code qualifier	M an..3	R an..3	3 Allowance or charge
5482	Percentage	C n..10	R n..10	
5249	Percentage basis identification code	C an..3	D an..3	1 Per unit 13 Invoice value
1131	Code list identification code	C an..17	N	Not used
3055	Code list responsible agency code	C an..3	N	Not used
4405	Status description code	C an..3	N	Not used

Remark:

Example:

PCD+3:2:0:1'

No = Consecutive segment number
 MaxOcc = Maximum occurrence of the segment/group
 Counter = Counter of segment/group within the standard

St = Status
 EDIFACT: M=Mandatory, C=Conditional
 User specific: R=Required, O=Optional, D=Dependent,
 A=Advised, N=Not used

Segments

Counter	No	Tag	St	MaxOcc	Level	Name
1830		SG42	D	1	3	Allowance/charge - monetary amount <i>Either SG41 (percentage) or SG42 (monetary amount) has to be sent.</i>
1840	39	MOA	R	1	3	Allowance/charge - monetary amount

		Standard	Implementation		
Tag	Name	St Format	St Format	Usage / Remark	
MOA					
C516	Monetary amount	M	R		
5025	Monetary amount type code qualifier	M an..3	R an..3	8 Allowance or charge amount	
5004	Monetary amount	C n..35	R n..15		
6345	Currency identification code	C an..3	O an..3	ISO 4217	
6343	Currency type code qualifier	C an..3	N	Not used	
4405	Status description code	C an..3	N	Not used	

Remark:

Example:

MOA+8:125.50:SEK'

No = Consecutive segment number
 MaxOcc = Maximum occurrence of the segment/group
 Counter = Counter of segment/group within the standard

St = Status
 EDIFACT: M=Mandatory, C=Conditional
 User specific: R=Required, O=Optional, D=Dependent,
 A=Advised, N=Not used

SMSI Bygg faktura förenklad profil



Segments

Counter	No	Tag	St	MaxOcc	Level	Name
1910		SG44	O	1	3	Allowance/charge - applicable VAT rate and amount
1920	40	TAX	R	1	3	Allowance/charge - applicable VAT rate

		Standard		Implementation		
Tag	Name	St	Format	St	Format	Usage / Remark
TAX						
5283	Duty or tax or fee function code qualifier	M	an..3	R	an..3	7 Tax
C241	Duty/tax/fee type	C		R		
5153	Duty or tax or fee type name code	C	an..3	R	an..3	VAT Value added tax ENV Environmental tax
1131	Code list identification code	C	an..17	N		Not used
3055	Code list responsible agency code	C	an..3	N		Not used
5152	Duty or tax or fee type name	C	an..35	N		Not used
C533	Duty/tax/fee account detail	C		N		
5289	Duty or tax or fee account code	M	an..6	N		Not used
1131	Code list identification code	C	an..17	N		Not used
3055	Code list responsible agency code	C	an..3	N		Not used
5286	Duty or tax or fee assessment basis quantity	C	an..15	N		Not used
C243	Duty/tax/fee detail	C		R		
5279	Duty or tax or fee rate code	C	an..7	N		Not used
1131	Code list identification code	C	an..17	N		Not used
3055	Code list responsible agency code	C	an..3	N		Not used
5278	Duty or tax or fee rate	C	an..17	R	n..7	
5273	Duty or tax or fee rate basis code	C	an..12	N		Not used
1131	Code list identification code	C	an..17	N		Not used
3055	Code list responsible agency code	C	an..3	N		Not used
5305	Duty or tax or fee category code	C	an..3	R	an..3	The use of any valid EDIFACT code is permitted, the trading partners may limit the codes in accordance with business and legal requirements. (1) Codes created to comply with the European invoicing directive. These codes are not yet part of the official EDIFACT code list. In Europe it is recommended or may be even required to use these more specific codes instead of code E . S Standard rate

No = Consecutive segment number
 MaxOcc = Maximum occurrence of the segment/group
 Counter = Counter of segment/group within the standard

St = Status
 EDIFACT: M=Mandatory, C=Conditional
 User specific: R=Required, O=Optional, D=Dependent,
 A=Advised, N=Not used

Segments

		Standard	Implementation	
Tag	Name	St Format	St Format	Usage / Remark
				E Exempt from tax Tax Exemption Reason Code AAP VAT exempt/reverse charge, within the construction business, Article 199 1 a-b of Council Directive 2006/112/EC
3446	Party tax identifier	C an..20	N	Not used
1227	Calculation sequence code	C an..3	N	Not used

Remark:

Example:

TAX+7+VAT++++:19.5+S'

No = Consecutive segment number
 MaxOcc = Maximum occurrence of the segment/group
 Counter = Counter of segment/group within the standard

St = Status
 EDIFACT: M=Mandatory, C=Conditional
 User specific: R=Required, O=Optional, D=Dependent,
 A=Advised, N=Not used

Segments

Counter	No	Tag	St	MaxOcc	Level	Name
1910		SG44	O	1	3	Allowance/charge - applicable VAT rate and amount
1930	41	MOA	O	1	4	Allowance/charge - applicable VAT amount

		Standard	Implementation	
Tag	Name	St Format	St Format	Usage / Remark
MOA				
C516	Monetary amount	M	R	
5025	Monetary amount type code qualifier	M an..3	R an..3	124 Tax amount 125 Taxable amount
5004	Monetary amount	C n..35	R n..15	
6345	Currency identification code	C an..3	O an..3	ISO 4217
6343	Currency type code qualifier	C an..3	N	Not used
4405	Status description code	C an..3	N	Not used

Remark:

Example:

MOA+124:120.00:SEK'

No = Consecutive segment number
 MaxOcc = Maximum occurrence of the segment/group
 Counter = Counter of segment/group within the standard

St = Status
 EDIFACT: M=Mandatory, C=Conditional
 User specific: R=Required, O=Optional, D=Dependent,
 A=Advised, N=Not used

Segments

Counter	No	Tag	St	MaxOcc	Level	Name
2180	42	UNS	R	1	0	Section control

Standard			Implementation	
Tag	Name	St Format	St Format	Usage / Remark
UNS				
0081	Section identification	M a1	R a1	S Detail/summary section separation

Remark:

Example:

UNS+S'

No = Consecutive segment number
 MaxOcc = Maximum occurrence of the segment/group
 Counter = Counter of segment/group within the standard

St = Status
 EDIFACT: M=Mandatory, C=Conditional
 User specific: R=Required, O=Optional, D=Dependent,
 A=Advised, N=Not used

Segments

Counter	No	Tag	St	MaxOcc	Level	Name
2190	43	CNT	O	1	1	Control total

Standard			Implementation	
Tag	Name	St Format	St Format	Usage / Remark
CNT				
C270	Control	M	R	
6069	Control total type code qualifier	M an..3	R an..3	2 Number of line items in message
6066	Control total quantity	M n..18	R n..10	Quantity / Control value
6411	Measurement unit code	C an..8	O an..8	UN/ECE recommendation 20 PCE Piece

Remark:

Example:

CNT+2:5:PCE'

No = Consecutive segment number
 MaxOcc = Maximum occurrence of the segment/group
 Counter = Counter of segment/group within the standard

St = Status
 EDIFACT: M=Mandatory, C=Conditional
 User specific: R=Required, O=Optional, D=Dependent,
 A=Advised, N=Not used

Segments

Counter	No	Tag	St	MaxOcc	Level	Name
2200		SG50	R	1	1	79 Total line items amount in invoicing or payment currency
2210	44	MOA	R	1	1	Total line items amount in invoicing or payment currency

Standard			Implementation	
Tag	Name	St Format	St Format	Usage / Remark
MOA				
C516	Monetary amount	M	R	
5025	Monetary amount type code qualifier	M an..3	R an..3	Amount Type 79 Total line items amount
5004	Monetary amount	C n..35	R n..15	Amount
6345	Currency identification code	C an..3	O an..3	Invoicing or Payment currency, coded according to ISO 4217 three alpha code.
6343	Currency type code qualifier	C an..3	O an..3	Amount Currency Qualifier 4 Invoicing currency 11 Payment currency <i>Note that 4 = Invoicing currency and 11 = payment currency are to be understood as synonymous)</i>
4405	Status description code	C an..3	N	Not used

Remark:

Total sum of all line items amounts.

Example:

MOA+79:125.00:SEK:4'

No = Consecutive segment number
 MaxOcc = Maximum occurrence of the segment/group
 Counter = Counter of segment/group within the standard

St = Status
 EDIFACT: M=Mandatory, C=Conditional
 User specific: R=Required, O=Optional, D=Dependent,
 A=Advised, N=Not used

Segments

Counter	No	Tag	St	MaxOcc	Level	Name
2200		SG50	O	1	1	131 Total charge/allowances invoiced in head level in invoicing or Payment currency
2210	45	MOA	R	1	1	Total charge/allowances invoiced in head level in invoicing currency

Standard			Implementation	
Tag	Name	St Format	St Format	Usage / Remark
MOA				
C516	Monetary amount	M	R	
5025	Monetary amount type code qualifier	M an..3	R an..3	Amount Type 131 Total charges/allowances
5004	Monetary amount	C n..35	R n..15	Amount
6345	Currency identification code	C an..3	O an..3	Invoicing or Payment currency, coded according to ISO 4217 three alpha code.
6343	Currency type code qualifier	C an..3	R an..3	Amount Currency Qualifier 4 Invoicing currency 11 Payment currency <i>Note that 4 =Invoicing currency and 11 = payment currency are to be understood as synonymous)</i>
4405	Status description code	C an..3	N	Not used

Remark:

Example:

MOA+131:75.25:SEK:4'

No = Consecutive segment number
 MaxOcc = Maximum occurrence of the segment/group
 Counter = Counter of segment/group within the standard

St = Status
 EDIFACT: M=Mandatory, C=Conditional
 User specific: R=Required, O=Optional, D=Dependent,
 A=Advised, N=Not used

Segments

Counter	No	Tag	St	MaxOcc	Level	Name
2200		SG50	D	1	1	125 Total taxable amount in invoicing or payment currency
2210	46	MOA	M	1	1	Total taxable amount in invoicing or payment currency

		Standard	Implementation	
Tag	Name	St Format	St Format	Usage / Remark
MOA				
C516	Monetary amount	M	M	
5025	Monetary amount type code qualifier	M an..3	M an..3	Amount Type 125 Taxable amount
5004	Monetary amount	C n..35	R n..15	Amount
6345	Currency identification code	C an..3	O an..3	<i>Invoicing or Payment currency, coded according to ISO 4217 three alpha code.</i>
6343	Currency type code qualifier	C an..3	R an..3	Amount Currency Qualifier 4 Invoicing currency 11 Payment currency <i>Note that 4 =Invoicing currency and 11 = payment currency are to be understood as synonymous)</i>
4405	Status description code	C an..3	N	Not used

Remark:

*If no taxes or duties apply to any part of the invoice this occurrence of SG50 can be omitted.
 If an invoicing and a home currency are used, for transactions with European partners this SG50 shall be present by legal reasons even if only zero rate taxes apply to the invoiced items.
 If the amount is stated in the invoicing currency, the currency type qualifier is optional. For (additional) home and payment currency it has to be stated.*

Example:

MOA+125:25.00:SEK:4'

No = Consecutive segment number
 MaxOcc = Maximum occurrence of the segment/group
 Counter = Counter of segment/group within the standard

St = Status
 EDIFACT: M=Mandatory, C=Conditional
 User specific: R=Required, O=Optional, D=Dependent,
 A=Advised, N=Not used

Segments

Counter	No	Tag	St	MaxOcc	Level	Name
2200		SG50	D	1	1	176 Total tax amount in invoicing or payment currency
2210	47	MOA	M	1	1	Total tax amount in invoicing or payment currency

		Standard	Implementation	
Tag	Name	St Format	St Format	Usage / Remark
MOA				
C516	Monetary amount	M	M	
5025	Monetary amount type code qualifier	M an..3	M an..3	Amount Type 176 Message total duty/tax/fee amount
5004	Monetary amount	C n..35	R n..15	Amount
6345	Currency identification code	C an..3	O an..3	<i>Invoicing or Payment currency, coded according to ISO 4217 three alpha code.</i>
6343	Currency type code qualifier	C an..3	R an..3	Amount Currency Qualifier 4 Invoicing currency 11 Payment currency <i>Note that 4 =Invoicing currency and 11 = payment currency are to be understood as synonymous)</i>
4405	Status description code	C an..3	N	Not used

Remark:

If no taxes or duties apply to any part of the invoice this occurrence of SG50 can be omitted.

If an invoicing and a home currency are used, for transactions with European partners this SG50 shall be present by legal reasons even if the total tax amount equals zero.

If the amount is stated in the invoicing currency, the currency type qualifier is optional. For (additional) home and payment currency it has to be stated.

Example:

MOA+176:100:SEK:11'

No = Consecutive segment number
 MaxOcc = Maximum occurrence of the segment/group
 Counter = Counter of segment/group within the standard

St = Status
 EDIFACT: M=Mandatory, C=Conditional
 User specific: R=Required, O=Optional, D=Dependent,
 A=Advised, N=Not used

Segments

Counter	No	Tag	St	MaxOcc	Level	Name
2200		SG50	O	1	1	165 Total invoice price adjustment amount in invoicing or payment currency
2210	48	MOA	R	1	1	Total invoice price adjustment amount in invoicing or payment currency

Standard			Implementation	
Tag	Name	St Format	St Format	Usage / Remark
MOA				
C516	Monetary amount	M	R	
5025	Monetary amount type code qualifier	M an..3	R an..3	Amount Type 165 Adjustment amount
5004	Monetary amount	C n..35	R n..15	<i>Minus sign or DE 4405 must be used to indicate negative figures</i>
6345	Currency identification code	C an..3	O an..3	<i>Invoicing or Payment currency, coded according to ISO 4217 three alpha code.</i>
6343	Currency type code qualifier	C an..3	R an..3	Amount Currency Qualifier 4 Invoicing currency 11 Payment currency <i>Note that 4 =Invoicing currency and 11 = payment currency are to be understood as synonymous)</i>
4405	Status description code	C an..3	N	Not used

Remark:

In some countries the invoice amount is always rounded to full currency units (e.g. SEK in Sweden). The sum of all line item amounts + or - allowances, charges, taxes does often not equals to this rounded invoice amount. In this case, an adjustment amount might be necessary to explain the difference.

Example:

MOA+165:0.35:SEK:4'

No = Consecutive segment number
 MaxOcc = Maximum occurrence of the segment/group
 Counter = Counter of segment/group within the standard

St = Status
 EDIFACT: M=Mandatory, C=Conditional
 User specific: R=Required, O=Optional, D=Dependent,
 A=Advised, N=Not used

Segments

Counter	No	Tag	St	MaxOcc	Level	Name
2200		SG50	R	1	1	86 Total Message monetary amount in invoicing currency
2210	49	MOA	R	1	1	Total Message monetary amount in invoicing currency

		Standard	Implementation	
Tag	Name	St Format	St Format	Usage / Remark
MOA				
C516	Monetary amount	M	R	
5025	Monetary amount type code qualifier	M an..3	R an..3	Amount Type 86 Message total monetary amount
5004	Monetary amount	C n..35	R n..15	Amount
6345	Currency identification code	C an..3	O an..3	<i>Invoicing or Payment currency, coded according to ISO 4217 three alpha code.</i>
6343	Currency type code qualifier	C an..3	O an..3	Amount Currency Qualifier 4 Invoicing currency 11 Payment currency <i>Note that 4 =Invoicing currency and 11 = payment currency are to be understood as synonymous)</i>
4405	Status description code	C an..3	N	Not used

Remark:

Total Message monetary amount in invoicing currency

Example:

MOA+86:250:SEK:4'

No = Consecutive segment number
 MaxOcc = Maximum occurrence of the segment/group
 Counter = Counter of segment/group within the standard

St = Status
 EDIFACT: M=Mandatory, C=Conditional
 User specific: R=Required, O=Optional, D=Dependent,
 A=Advised, N=Not used

SMSI Bygg faktura förenklad profil



Segments

Counter	No	Tag	St	MaxOcc	Level	Name
2250		SG52	R	3	1	Tax rates and amounts
2260	50	TAX	R	1	1	Tax type

		Standard		Implementation		
Tag	Name	St	Format	St	Format	Usage / Remark
TAX						
5283	Duty or tax or fee function code qualifier	M	an..3	R	an..3	7 Tax
C241	Duty/tax/fee type	C		R		
5153	Duty or tax or fee type name code	C	an..3	R	an..3	VAT Value added tax ENV Environmental tax
1131	Code list identification code	C	an..17	N		Not used
3055	Code list responsible agency code	C	an..3	N		Not used
5152	Duty or tax or fee type name	C	an..35	N		Not used
C533	Duty/tax/fee account detail	C		N		
5289	Duty or tax or fee account code	M	an..6	N		Not used
1131	Code list identification code	C	an..17	N		Not used
3055	Code list responsible agency code	C	an..3	N		Not used
5286	Duty or tax or fee assessment basis quantity	C	an..15	N		Not used
C243	Duty/tax/fee detail	C		R		
5279	Duty or tax or fee rate code	C	an..7	N		Not used
1131	Code list identification code	C	an..17	N		Not used
3055	Code list responsible agency code	C	an..3	N		Not used
5278	Duty or tax or fee rate	C	an..17	R	n..7	Duty/Tax/Fee Rate
5273	Duty or tax or fee rate basis code	C	an..12	N		Not used
1131	Code list identification code	C	an..17	N		Not used
3055	Code list responsible agency code	C	an..3	N		Not used
5305	Duty or tax or fee category code	C	an..3	R	an..3	<i>The use of any valid EDIFACT code is permitted, the trading partners may limit the codes in accordance with business and legal requirements.</i> <i>(1) Codes created to comply with the European invoicing directive. These codes are not yet part of the official EDIFACT code list. In Europe it is recommended or may be even required to use these more specific codes instead of code E .</i> S Standard rate

No = Consecutive segment number
 MaxOcc = Maximum occurrence of the segment/group
 Counter = Counter of segment/group within the standard

St = Status
 EDIFACT: M=Mandatory, C=Conditional
 User specific: R=Required, O=Optional, D=Dependent,
 A=Advised, N=Not used

Segments

		Standard	Implementation	
Tag	Name	St Format	St Format	Usage / Remark
				E Exempt from tax Tax Exemption Reason Code AAP VAT exempt/reverse charge, within the construction business, Article 199 1 a-b of Council Directive 2006/112/EC
3446	Party tax identifier	C an..20	N	Not used
1227	Calculation sequence code	C an..3	N	Not used

Remark:

When sending a message with data element 5278 in the TAX segment, the tax rate (numeric) should be presented in an alpha-numeric field as follows: 19.5% ==> :19.5

In European business environment, it is recommended to use SG52 as well to summarize line items belonging to the same exemption category. Assuming an invoice with a mixture of line items (1000 EUR) subject to VAT and line items (1000 EUR) subject to tax exemption, the following example would explain the recommendation:

Example:

TAX+7+VAT+++:::25+S'

No = Consecutive segment number
 MaxOcc = Maximum occurrence of the segment/group
 Counter = Counter of segment/group within the standard

St = Status
 EDIFACT: M=Mandatory, C=Conditional
 User specific: R=Required, O=Optional, D=Dependent,
 A=Advised, N=Not used

Segments

Counter	No	Tag	St	MaxOcc	Level	Name
2250		SG52	R	3	1	Tax rates and amounts
2270	51	MOA	O	3	2	Tax amount in home currency

		Standard	Implementation	
Tag	Name	St Format	St Format	Usage / Remark
MOA				
C516	Monetary amount	M	R	
5025	Monetary amount type code qualifier	M an..3	R an..3	124 Tax amount
5004	Monetary amount	C n..35	R n..15	Tax Amount
6345	Currency identification code	C an..3	O an..3	<i>Home currency, coded according to ISO 4217 three alpha code.</i>
6343	Currency type code qualifier	C an..3	R an..3	3 Home currency 4 Invoicing currency
4405	Status description code	C an..3	N	Not used

Remark:

Example:

MOA+124:25.00:SEK:3'

No = Consecutive segment number
 MaxOcc = Maximum occurrence of the segment/group
 Counter = Counter of segment/group within the standard

St = Status
 EDIFACT: M=Mandatory, C=Conditional
 User specific: R=Required, O=Optional, D=Dependent,
 A=Advised, N=Not used

SMSI Bygg faktura förenklad profil



Segments

Counter	No	Tag	St	MaxOcc	Level	Name
2250		SG52	R	3	1	Tax rates and amounts
2270	52	MOA	R	1	2	Tax amount in invoicing or payment currency

		Standard	Implementation	
Tag	Name	St Format	St Format	Usage / Remark
MOA				
C516	Monetary amount	M	R	
5025	Monetary amount type code qualifier	M an..3	R an..3	124 Tax amount
5004	Monetary amount	C n..35	R n..15	Tax Amount
6345	Currency identification code	C an..3	O an..3	<i>Invoicing or payment currency, coded according to ISO 4217 three alpha code.</i>
6343	Currency type code qualifier	C an..3	R an..3	4 Invoicing currency 11 Payment currency <i>Note that 4 =Invoicing currency and 11 = payment currency are to be understood as synonymous)</i>
4405	Status description code	C an..3	N	Not used

Remark:

Example:

MOA+124:25.00:SEK:4'

No = Consecutive segment number
 MaxOcc = Maximum occurrence of the segment/group
 Counter = Counter of segment/group within the standard

St = Status
 EDIFACT: M=Mandatory, C=Conditional
 User specific: R=Required, O=Optional, D=Dependent,
 A=Advised, N=Not used

Segments

Counter	No	Tag	St	MaxOcc	Level	Name
2250		SG52	R	3	1	Tax rates and amounts
2270	53	MOA	R	1	2	Taxable amount in Invoicing or Payment currency

		Standard	Implementation	
Tag	Name	St Format	St Format	Usage / Remark
MOA				
C516	Monetary amount	M	R	
5025	Monetary amount type code qualifier	M an..3	R an..3	125 Taxable amount
5004	Monetary amount	C n..35	R n..15	Taxable Amount
6345	Currency identification code	C an..3	R an..3	<i>Invoicing or Payment currency, coded according to ISO 4217 three alpha code.</i>
6343	Currency type code qualifier	C an..3	R an..3	4 Invoicing currency 11 Payment currency <i>Note that 4 =Invoicing currency and 11 = payment currency are to be understood as synonymous)</i>
4405	Status description code	C an..3	N	Not used

Remark:

Example:

MOA+125:100:SEK:4'

No = Consecutive segment number
 MaxOcc = Maximum occurrence of the segment/group
 Counter = Counter of segment/group within the standard

St = Status
 EDIFACT: M=Mandatory, C=Conditional
 User specific: R=Required, O=Optional, D=Dependent,
 A=Advised, N=Not used

Segments

Counter	No	Tag	St	MaxOcc	Level	Name
2330	54	UNT	R	1	0	Message trailer

		Standard	Implementation	
Tag	Name	St Format	St Format	Usage / Remark
UNT				
0074	Number of segments in the message	M n..6	M n..6	Number of segments in the message
0062	Message reference number	M an..14	M an..14	

Remark:

Example:

UNT+52+123 '

No = Consecutive segment number
 MaxOcc = Maximum occurrence of the segment/group
 Counter = Counter of segment/group within the standard

St = Status
 EDIFACT: M=Mandatory, C=Conditional
 User specific: R=Required, O=Optional, D=Dependent,
 A=Advised, N=Not used

Segments

Counter	No	Tag	St	MaxOcc	Level	Name
0000	55	UNZ	M	1	0	Interchange trailer

		Standard	Implementation	
Tag	Name	St Format	St Format	Usage / Remark
UNZ				
0036	Interchange control count	M n..6	M n..6	
0020	Interchange control reference	M an..14	M an..14	

Remark:

Example:

UNZ+1+1234'

No = Consecutive segment number
 MaxOcc = Maximum occurrence of the segment/group
 Counter = Counter of segment/group within the standard

St = Status
 EDIFACT: M=Mandatory, C=Conditional
 User specific: R=Required, O=Optional, D=Dependent,
 A=Advised, N=Not used

Example

FLIK 5

UNA:+,?'
UNB+UNOC:3+7312346678901:14+7398765432101:14+070411:0928+1234++++1+++1'
UNH+123+INVOIC:D:03A:UN:NeB01'
BGM+380+123456'
DTM+137:20081107:102'
DTM+35:20081106:102'
ALI+++79E'
FTX+SUR+++Leverans enl plan+SV'
RFF+ON:55625'
RFF+VN:3081'
RFF+AAK:30811'
RFF+AEP:2595-456-1236587'
NAD+BY+7381030000028::9++Skoogs AB:A+Tallvägen 45:A+Xstad++12359+SE'
RFF+VA:SE556481581801'
CTA+IC+:Karl Svensson'
COM+08-7681590:TE'
NAD+SU+7381030000028::9++Träkompaniet AB:A+Björkstigen 10:A+Ystad++71156+SE'
RFF+VA:SE556481581801'
CTA+IC+:Karla Svensson'
COM+08-7681590:TE'
NAD+IV+7381030000056::9++Factoring AB:X+Fakturavägen 1:a+Fstad++45601+SE'
RFF+VA:SE556048581801'
NAD+DP+7381300000028::9++Träkompaniet:A+Tallvägen:A+Ystad++47123+SE'
RFF+VA:SE556481581801'
TAX+7+VAT++++:::25+S'
CUX+2:EUR:4+3:EUR:11+1'
DTM+134:20081107:102'
PYT+3++66'
DTM+13:20081207:102'
TOD+6++DDU'
LOC+7+:::Ystad'
PAC+1'
PCI+16+Blåsippan'
ALC+C++++FC:::Freight'
MOA+8:250'
TAX+7+VAT++++:::25+S'
LIN+1++7391753025628:EN::9'
PIA+1+23717986:NO1+037203:SA+123456:BP'
IMD+F++:::Huggmejsel 95:250x28 mm:SV'
QTY+47:8:PCE'
ALI+NO+1'
DTM+35:20081106:102'
MOA+203:680,00:SEK'
PRI+AAA:85:CT:CP:1:PCE'
RFF+ON:55625:1'
RFF+VN:3081:10'
RFF+AAK:30811:10'
TAX+7+VAT++++:::25+S'
ALC+C++++ABK:::Råvarutillägg'
MOA+8:55,00:SEK'

UNS+S'
CNT+2:1:PCE'
MOA+79:735,00:SEK:4'
MOA+131:250,00:SEK:4'
MOA+125:985,00:SEK:4'
MOA+176:246,25:SEK:4'
MOA+165:-0,25:SEK:4'
MOA+86:1234,00:SEK:4'
TAX+7+VAT+++:::25+S'
MOA+124:198,50:SEK:4'
MOA+125:985,00:SEK:4'
UNT+60+123'
UNZ+1+1234'